

Tango - Tango collection

design Bartoli Design



— Totem with wooden structure and Lacca 61 finish in one or more colours. Top, handle and base in polished steel. Equipped with extra-light glass shelves and LED lighting.

Available in high, medium and low version, and with steel trays and revolving shelves.

— Totem con struttura in legno e finitura Lacca 61 in uno o più colori. Top, maniglia e base in acciaio lucido. Attrezzato con ripiani in vetro extra-light e con illuminazione LED.

Disponibile nella versione alta, media e bassa, e con vassoi in acciaio e ripiani girevoli.

Tango - Tango collection

design Bartoli Design



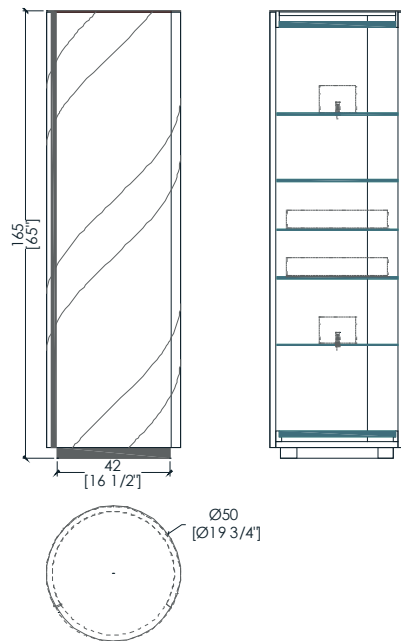
— The units enclose an internal organization with circular glass shelves and mirror-polished steel accessories multiplying the geometries in a play of reflections.

— I contenitori racchiudono un'organizzazione interna a piani circolari in vetro, con accessori in acciaio lucidato a specchio che moltiplicano le geometrie in un gioco di riflessi.

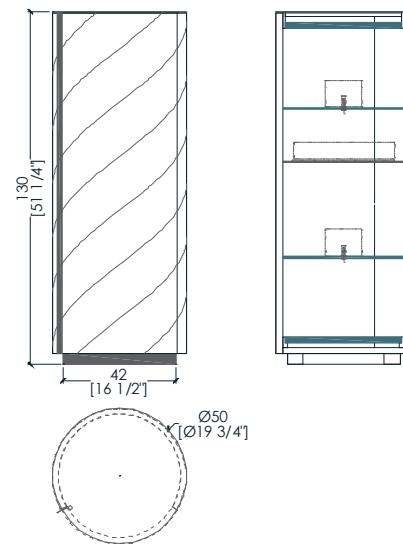


_dimensions

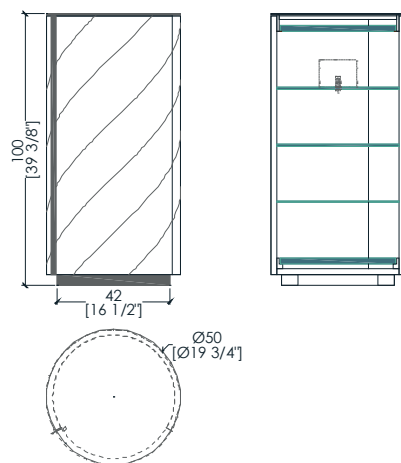
TA 165 high totem - totem alto -
totem hoch - totem haut - Тотем высокий



TA 130 medium totem - totem medio -
mittleres totem - totem moyen - средний тотем



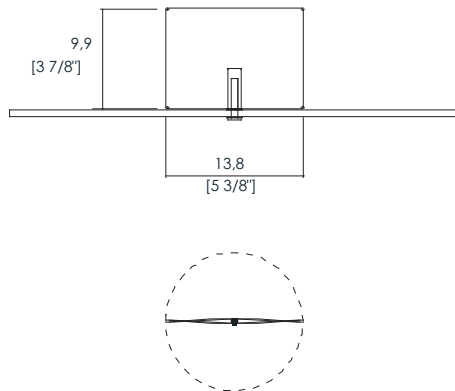
TA 130 low totem - totem basso -
niedriges totem - totem bas - низкий тотем



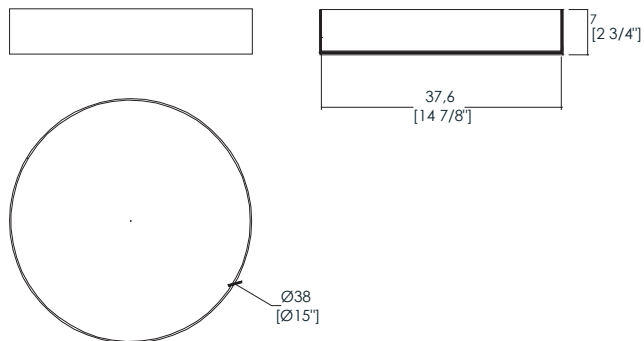
Dimensions in millimeters and inches.
The right to discontinue and make changes is reserved.
This information is based on the latest product information available at the time of printing.

_dimensions

rotating partition - divisorio girevole -
drehbare trennwand - diviseur tournant - Поворотный разделитель



tray - vassoio -
schale - plateau - Лоток



Dimensions in millimeters and inches.
The right to discontinue and make changes is reserved.
This information is based on the latest product information available at the time of printing.

_materials & finishes

lacca 61



Lacca Corallo



Lacca Amaranth



Lacca Lampone



Lacca Lavanda



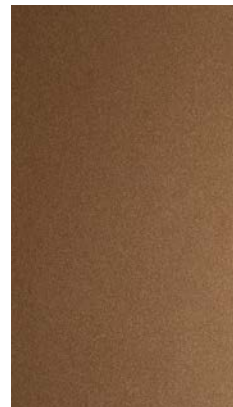
Lacca Bronzo



Lacca Malva



Lacca Ocra



Lacca Orange



Lacca Bosco



Lacca Sabbia



Lacca Stagno

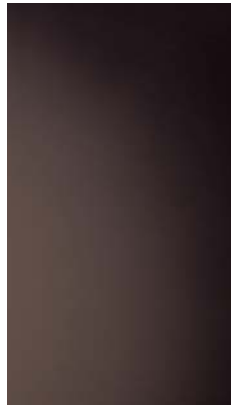
_The finishes shown are indicative and refer to the entire production range.
Laurameroni reserves the right to modify the range without warning.

_materials & finishes

lacquering



Brushed matt lacquered



Glossy shaded lacquered



Available in all
RAL / NCS colors

_The finishes shown are indicative and refer to the entire production range.
Laurameroni reserves the right to modify the range without warning.

_materials & finishes

gommalacca



Gommalacca Grey



Gommalacca Mist

_The finishes shown are indicative and refer to the entire production range.
Laurameroni reserves the right to modify the range without warning.

_maintenance

**PAINTS, LACQUERINGS AND
SPECIAL FINISHES**

Do not use acid or alkaline detergents, agents with bleaching additives, abrasive powders, steel wool, sponges or the like. Do not use furniture polish or solvents to care for painted surfaces. Anything hot or humid can cause surface damage. Pointed or sharp objects, such as blades or knives, can cause damage to the surface. For the cleaning and care, regularly wipe the surfaces with a clean, soft, lint-free cloth to remove dust while avoiding abrasion. For soft-finish painted surfaces, use a soft, lint-free, slightly damp cloth. If heavily soiled, painted surfaces can be cleaned with a neutral, silicone-free detergent. Finally, it is essential to gently rub dry surfaces, so that there is no residual moisture.

**TINTE, LACCATURE E FINITURE
SPECIALI**

Non usare detersivi acidi o alcalini, agenti con additivi sbiancanti, polveri abrasive, lana d'acciaio, spugne o simili. Non utilizzare lucidi per mobili o solventi per la cura delle superfici verniciate. Qualsiasi cosa calda o umida può causare danni alla superficie. Oggetti appuntiti o taglienti, come lame o coltelli, possono causare danni alla superficie. Per la pulizia e la cura, pulire regolarmente le superfici con un panno pulito, morbido e privo di lanugine per rimuovere la polvere evitando l'abrasione. Per le superfici verniciate con finitura morbida, utilizzare un panno soffice, privo di lanugine e leggermente umido. Se molto sporche, le superfici verniciate possono essere pulite con un detersivo neutro privo di silicone. È infine essenziale strofinare gentilmente le superfici asciutte, in modo che non sussista umidità residua.

**BEDIF
FEREN
TBEUN
IQUE.**

LAURAMERONI s.r.l.
22040 Alzate Brianza (Como)
Via Manzoni, 2784
T +39 031 761450
info@laurameroni.com
www.laurameroni.com