

ST 51 - Stars collection

design Bartoli Design



Table entirely covered in a sequence of metal bands, available in three sizes.

Customizable in all the metals of the Stars collection.

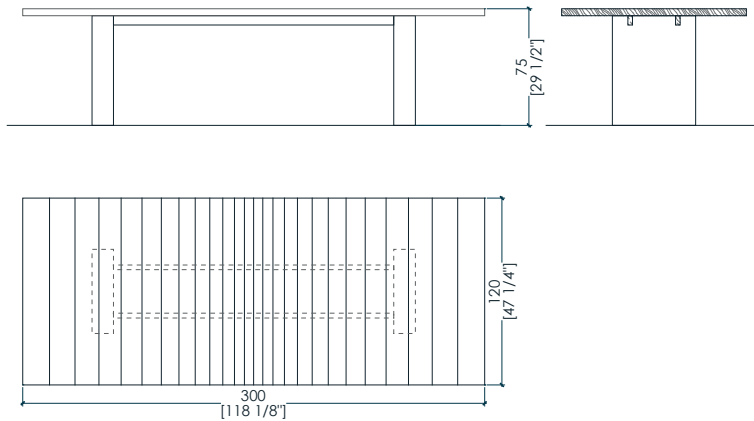
Tavolo interamente rivestito in una sequenza di strisce di metallo, disponibile in tre dimensioni.

Personalizzabile in tutti i metalli della collezione Stars.

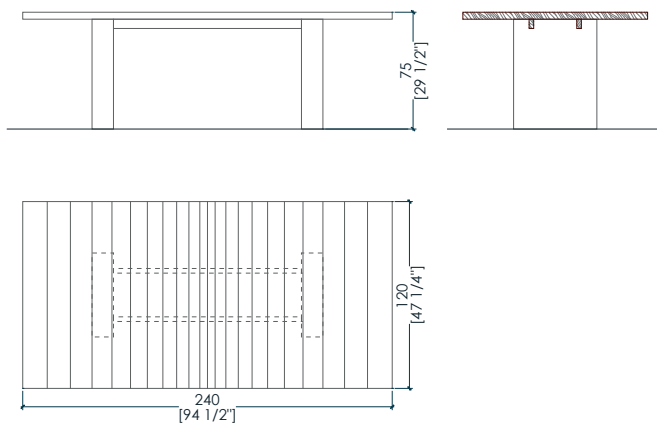


_dimensions

ST 51 rectangular table - tavolo rettangolare -
rechteckiger tisch - table rectangulaire - Прямоугольный стол



ST 53 rectangular table - tavolo rettangolare -
rechteckiger tisch - table rectangulaire - Прямоугольный стол



- Available in special dimensions.

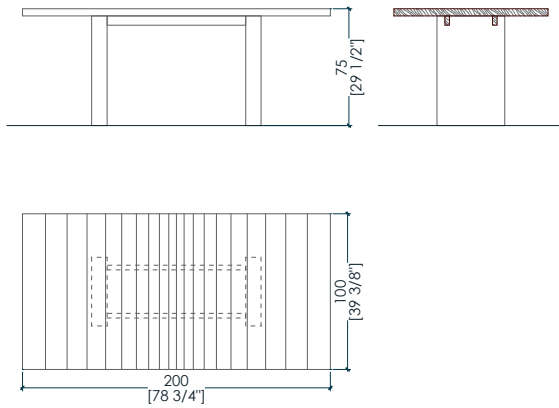
- Dimensions in centimeters and inches.

The right to discontinue and make changes is reserved.

This information is based on the latest product information available at the time of printing.

_dimensions

ST 55 rectangular table - tavolo rettangolare -
rechteckiger tisch - table rectangulaire - Прямоугольный стол



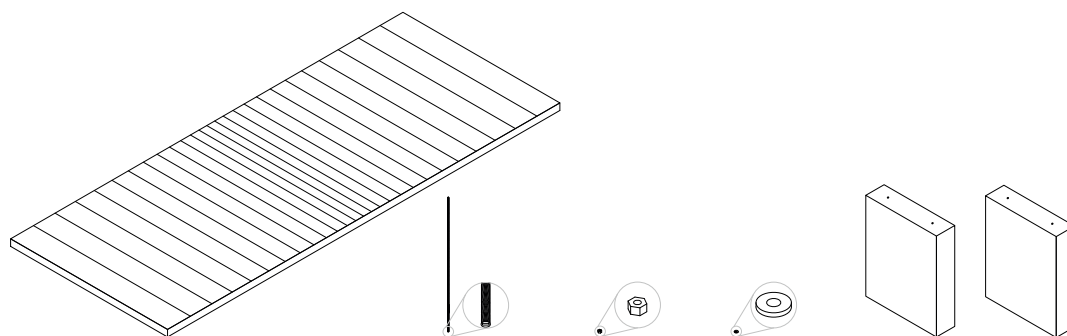
- Available in special dimensions.

- Dimensions in centimeters and inches.

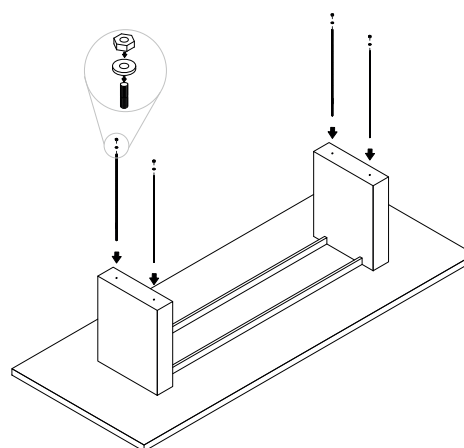
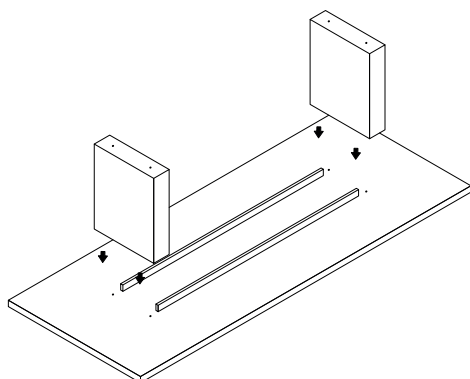
The right to discontinue and make changes is reserved.

This information is based on the latest product information available at the time of printing.

_assembly instructions



_1 Screw the top to the bases of the table.

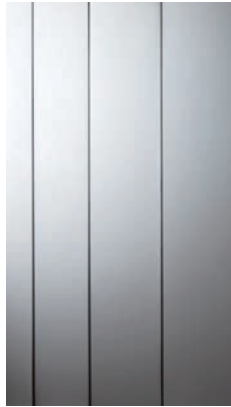


_materials & finishes

metals



Black Iron "Genere"



Polished Steel



Burnished brass



Satin brass



Satin copper



Burnished copper

_The finishes shown are indicative and refer to the entire production range.
Laurameroni reserves the right to modify the range without warning.

_maintenance

_METAL & LIQUID METAL

To maintain the natural features of the metal and to protect the specific craftsmanship from oxidation and discoloration, the metal surfaces are coated with a high-quality transparent varnish. Do not use acid cleaners, solvents or alkalis. Do not use abrasive agents, steel wool, pot cleaners, glass cleaners, aggressive solvents, dyes, bleach or the like. Pointed or sharp objects, such as blades or knives, can cause damage to the surface. Anything hot or humid can cause surface damage.

For cleaning and care, remove light dirt with a soft cloth and a neutral household cleaning product well diluted in water. Gently clean the metal parts by hand with cold or warm water and dry immediately with a soft cloth.

_METALLO & METALLO LIQUIDO

Per mantenere il carattere naturale del metallo e tutelare la specifica lavorazione artigianale da ossidazione e scolorimento, le superfici metalliche sono rivestite con una vernice trasparente di alta qualità.

Non utilizzare detergenti acidi, solventi o alcali. Non usare agenti abrasivi, lana d'acciaio, detergenti per pentole, detergenti per vetri, solventi aggressivi, coloranti, candeggina o simili. Oggetti appuntiti o taglienti, come lame o coltelli, possono causare danni alla superficie. Qualsiasi cosa calda o umida può causare danni alla superficie.

Per la pulizia e la cura, rimuovere lo sporco leggero con un panno morbido ed un prodotto neutro per la pulizia della casa abbondantemente diluito in acqua. Pulire delicatamente a mano le parti metalliche con acqua fredda o tiepida ed asciugare immediatamente con un panno morbido.

**BEDIF
FEREN
TBEUN
IQUE.**

LAURAMERONI s.r.l.
22040 Alzate Brianza (Como)
Via Manzoni, 2784
T +39 031 761450
info@laurameroni.com
www.laurameroni.com