

Outfit Vanity - Outfit collection

design Cesare Arosio



— Vanity console equipped with structure, chest of drawers, decorative panel and round mirror.

Equipped on request with practical multipurpose storage dividers, and customizable in finishes.

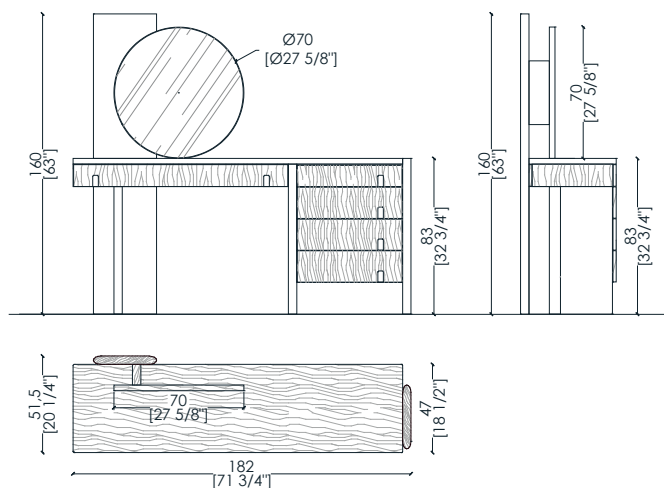
— Consolle Vanity dotata di struttura, cassettera, pannello decorativo e specchio rotondo.

Attrezzabile su richiesta con pratici divisori portaoggetti multiuso, e personalizzabile nelle finiture.

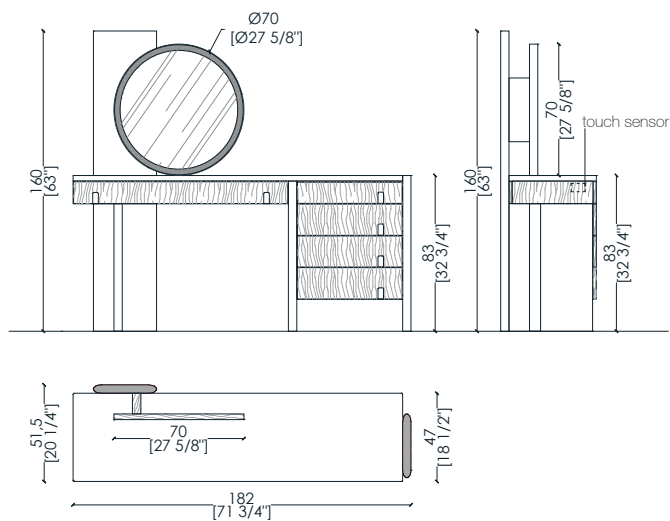


_dimensions

OUT 0182 VA1 vanity desk - toeletta - coiffeuse -
schminktisch - туалетный столик



OUT 0182 VA2 vanity desk - toeletta - coiffeuse -
schminktisch - туалетный столик



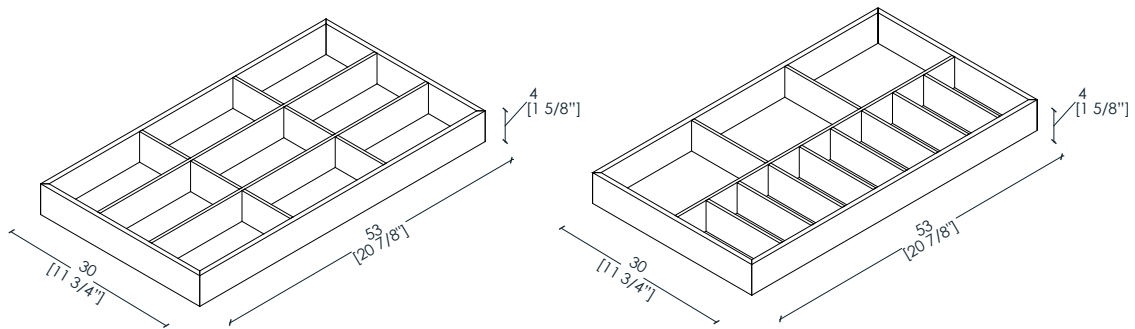
-Dimensions in centimeters and inches.

The right to discontinue and make changes is reserved.

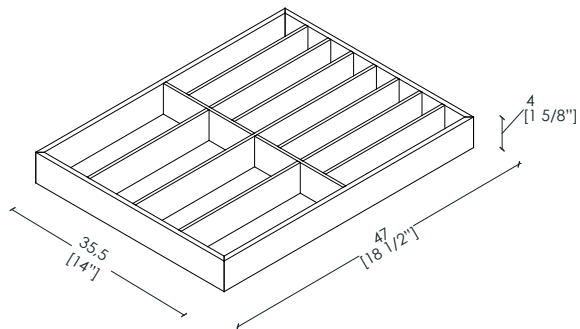
This information is based on the latest product information available at the time of printing.

_dimensions

OUT VAN 53 multi-purpose holders set - set di portaoggetti -
aufbewahrungssset - ensemble de porte-objets - набор для хранения

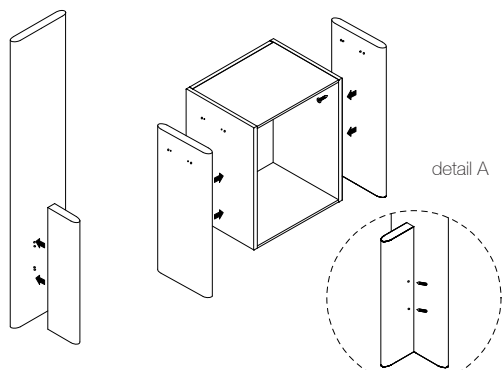
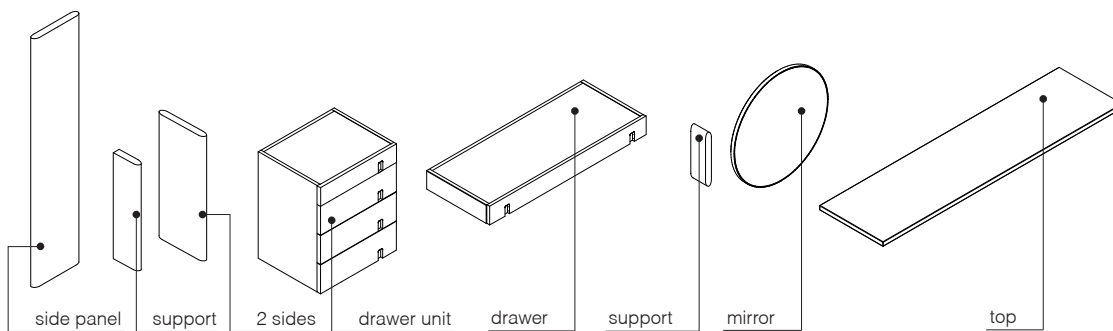


OUT VAN 54 multi-purpose holder - portaoggetti -
ablageschale - porte-objets - Разделитель для предметов

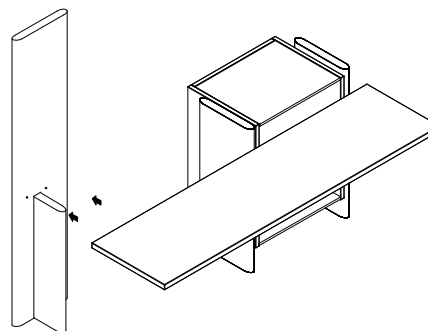


-Dimensions in centimeters and inches.
The right to discontinue and make changes is reserved.
This information is based on the latest product information available at the time of printing.

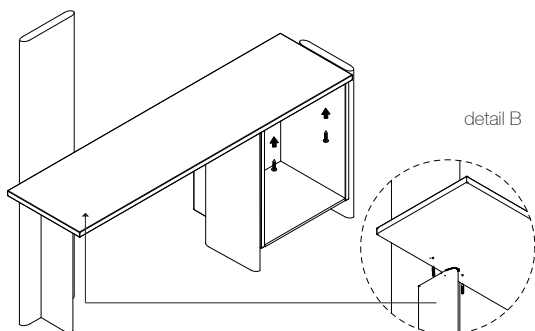
_assembly instructions



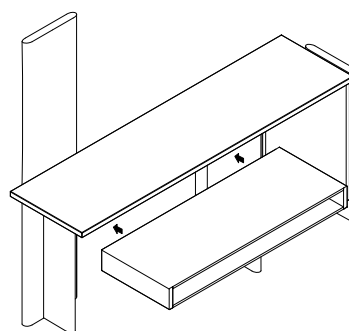
1 screw the 2 sides to the drawer and merge the support to the side panel. Lock it with the grub screw on the right side of the support (detail A)



2 merge the top to the side panel



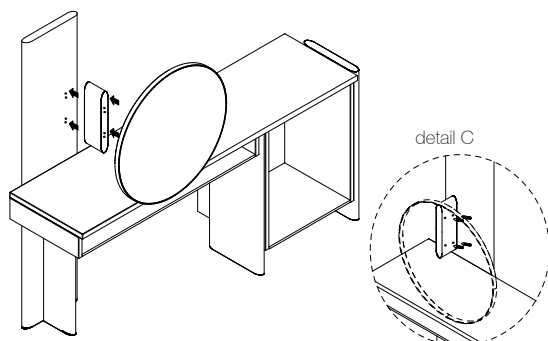
3 lock the top with the grub screw (detail B).
Screw the top to the chest of drawers



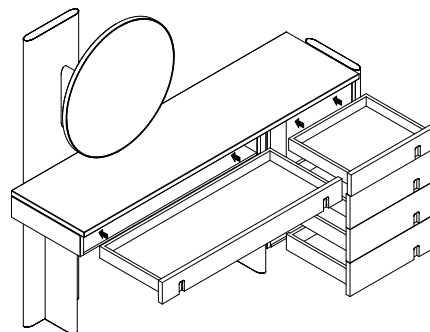
4 insert the drawer and screw it to the top and the side panel

-Dimensions in centimeters and inches.
The right to discontinue and make changes is reserved.
This information is based on the latest product information available at the time of printing.

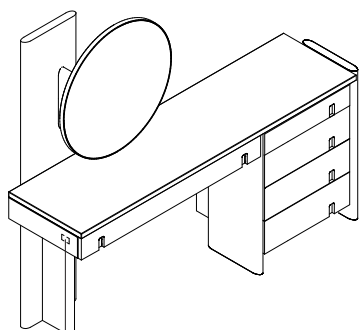
_assembly instructions



5 merge the support to the side panel and the mirror to the support. Lock them with the grub screw on the right side of the support (detail C)



6 insert the drawers in the drawer units
attention: if you have the Outfit Vanity Desk with LED,
before inserting the big drawer in the drawer unit,
connect the cables inside the big drawer unit (detail D)



Touch sensor to turn on the mirror's light
- only in the Outfit Vanity Desk with LED
option.

-Dimensions in centimeters and inches.
The right to discontinue and make changes is reserved.
This information is based on the latest product information available at the time of printing.

_materials & finishes for the desk and the multi-purpose holders
plain woods



Maple



Oak



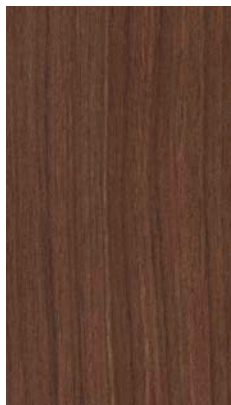
Teak



Zebrano



Canaletto Walnut



Dyed Canaletto walnut



Ebony



Termocotto Oak



Rosewood



Wenge



Mahogany

_The finishes shown are indicative and refer to the entire production range.
Laurameroni reserves the right to modify the range without warning.

_materials & finishes for the desk and the multi-purpose holders
dyed woods



Titanium AL1105



Grey AL1106



Sand AL1851



Black AL1853



Aniline dyed



Available in all
RAL / NCS colours

_The finishes shown are indicative and refer to the entire production range.
Laurameroni reserves the right to modify the range without warning.

_materials & finishes for the multi-purpose holders

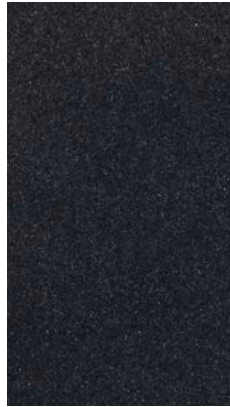
liquid velvet



Liquid velvet
"nocciola beige"



Liquid velvet
"testa di moro"



Liquid velvet
"nero melange"



Liquid velvet
"canna di fucile"



Liquid velvet
"rosso borgogna"

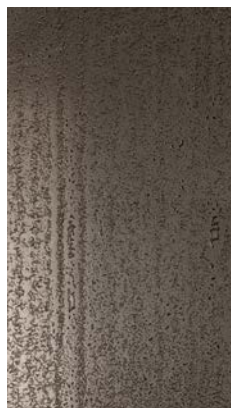
_The finishes shown are indicative and refer to the entire production range.
Laurameroni reserves the right to modify the range without warning.

_materials & finishes for the back panel

Raptor liquid metal



Liquid Metal Bronze



Liquid Metal Tin

_materials & finishes for the desk, the back panels and the multi-purpose holders

lacquering



brushed matt lacquered



High gloss polyester



Available in all
RAL / NCS colours

_The finishes shown are indicative and refer to the entire production range.
Laurameroni reserves the right to modify the range without warning.

_materials & finishes for the desk, the back panels and the multi-purpose holders
gold lacquering



Brushed lacquered "Gold"



matt lacquered "Gold"

_The finishes shown are indicative and refer to the entire production range.
Laurameroni reserves the right to modify the range without warning.

_maintenance

_ LIQUID METALS

The surface is specially handcrafted in several complex manufacturing steps. The structure of the furniture/panel is coated with metal powder liquified at low temperature and applied on the surface. At the end of the manufacturing procedure, the surface is painted with a transparent protective lacquer which prevents further oxidising and discolouring. Differences in colour and structure are not faults, but typical of the goods, and are characteristics of manual processing: every piece is unique. Do not use any acid, solvents or alkali-based cleaners. Do not use scouring agents, steel wool, pot cleaners or similar. Pointed or sharp objects, such as blades or knives, can damage the surface. Anything hot or damp can also be detrimental to the surface. Remove light soiling with a soft cloth and a neutral household cleaning product diluted in water. Clean the liquid metal coated parts with cold or hand-hot water and finish by immediately drying with a soft cloth.

_ LIQUID METALS

La superficie è appositamente realizzata a mano in diverse fasi di produzione complesse. La struttura del mobile / pannello è rivestita con polvere metallica liquefatta a bassa temperatura e applicata sulla superficie. Alla fine del processo di fabbricazione, la superficie viene verniciata con una vernice protettiva trasparente che impedisce ulteriore ossidazione e scolorimento. Le differenze di colore e struttura non sono difetti, ma tipici dei prodotti e sono caratteristiche della lavorazione manuale: ogni pezzo è unico. Non utilizzare detergenti acidi, solventi o alcali. Non usare agenti abrasivi, lana d'acciaio, detergenti per pentole o simili. Oggetti appuntiti o taglienti, come lame o coltelli, possono danneggiare la superficie. Qualsiasi cosa calda o umida può anche essere dannosa per la superficie. Rimuovere lo sporco leggero con un panno morbido e un prodotto per la pulizia neutro della casa diluito in acqua. Pulire le parti rivestite di metallo liquido con acqua fredda o calda a mano e finire asciugando immediatamente con un panno morbido.

_maintenance

— PAINTS, LACQUERINGS AND SPECIAL FINISHES

Do not use acid or alkaline detergents, agents with bleaching additives, abrasive powders, steel wool, sponges or the like. Do not use furniture polish or solvents to care for painted surfaces. Anything hot or humid can cause surface damage. Pointed or sharp objects, such as blades or knives, can cause damage to the surface. For the cleaning and care, regularly wipe the surfaces with a clean, soft, lint-free cloth to remove dust while avoiding abrasion. For soft-finish painted surfaces, use a soft, lint-free, slightly damp cloth. If heavily soiled, painted surfaces can be cleaned with a neutral, silicone-free detergent. Finally, it is essential to gently rub dry surfaces, so that there is no residual moisture.

— TINTE, LACCATURE E FINITURE SPECIALI

Non usare detersivi acidi o alcalini, agenti con additivi sbiancanti, polveri abrasive, lana d'acciaio, spugne o simili. Non utilizzare lucidi per mobili o solventi per la cura delle superfici verniciate. Qualsiasi cosa calda o umida può causare danni alla superficie. Oggetti appuntiti o taglienti, come lame o coltelli, possono causare danni alla superficie. Per la pulizia e la cura, pulire regolarmente le superfici con un panno pulito, morbido e privo di lanugine per rimuovere la polvere evitando l'abrasione. Per le superfici verniciate con finitura morbida, utilizzare un panno soffice, privo di lanugine e leggermente umido. Se molto sporche, le superfici verniciate possono essere pulite con un detersivo neutro privo di silicone. È infine essenziale strofinare gentilmente le superfici asciutte, in modo che non sussista umidità residua.

_maintenance

_WOOD

To maintain the natural wood features and protect them from mechanical and chemical wear, the veneered surfaces are coated with a high-quality transparent varnish. Do not use acid or alkaline detergents, agents with bleaching additives, abrasive powders, steel wool, sponges or the like. Anything hot or humid can cause surface damage. Remove dirt and liquids immediately.

For the cleaning and care, it is best to use a soft, dry cloth. If necessary, the cloth can be slightly dampened and dipped in neutral detergent thoroughly diluted in water. The cloth should only be slightly damp to avoid discoloration or swelling of the surface. Finally, it is essential to gently rub dry surfaces, so that there is no residual moisture.

_LEGNO

Per mantenere il carattere naturale del legno e proteggerlo dall'usura meccanica e chimica, le superfici impialacciate sono rivestite con una vernice trasparente di alta qualità. Non usare detergenti acidi o alcalini, agenti con additivi sbiancanti, polveri abrasive, lana d'acciaio, spugne o simili. Qualsiasi cosa calda o umida può causare danni alla superficie. Rimuovere immediatamente sporco e liquidi. Per la pulizia e la cura, è preferibile utilizzare un panno morbido e asciutto. Eventualmente il panno può essere leggermente inumidito ed intinto in detergente neutro abbondantemente diluito in acqua. Il panno deve essere solo leggermente umido, per evitare scolorimenti o rigonfiamenti della superficie. È infine essenziale strofinare gentilmente le superfici asciutte, in modo che non sussista umidità residua.

**BEDIF
FEREN
TBEUN
IQUE.**

LAURAMERONI s.r.l.
22040 Alzate Brianza (Como)
Via Manzoni, 2784
T +39 031 761450
info@laurameroni.com
www.laurameroni.com