

Boiserie Stars - Stars collection

design Bartoli Design



— Made to measure Wall Panels clad with metal and available in burnished brass, satin brass, satin copper, burnished copper, polished steel and black iron "Cenere". The wall panels can also be integrated with sliding and hinged doors of the same collection.

— Boiserie realizzata su misura e rivestita in metallo, e disponibile in ottone satinato, ottone brunito, rame satinato, rame brunito, acciaio lucido e ferro nero "cenere". La boiserie può inoltre essere integrata con porte scorrevoli e battenti della stessa collezione.



Boiserie Stars - Stars collection

design Bartoli Design

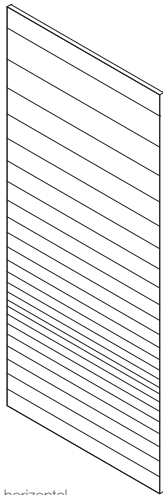


Stars Wall Panels are a unique cladding solution designed to satisfy the most demanding customers, offering them a unique luxury product, made with the most precious metals, enhanced by the patient work and the exceptional abilities of our craftsmen. The attention to metals treatment and the use of metal strips of different sizes create a rhythmic effect in the environment: the perfect solution for elegant spaces, where luxury meets uniqueness.

La boiserie Stars è una soluzione di rivestimento creata per soddisfare i clienti più esigenti, offrendo loro un prodotto di lusso unico, realizzato con i metalli più pregiati e valorizzato dal paziente lavoro e dall'eccezionale abilità dei nostri artigiani. L'attenzione al trattamento dei metalli e l'uso di sequenze di strisce metalliche di diverse dimensioni crea un effetto ritmico nell'ambiente: la soluzione perfetta per spazi eleganti, dove il lusso incontra l'unicità.

_dimensions

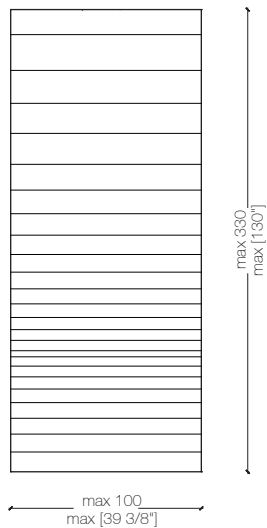
wall panel - pannello boiserie -
wandpaneel - panneau boiserie - Стеновая панель



horizontal
stars carving

_dimensions limits

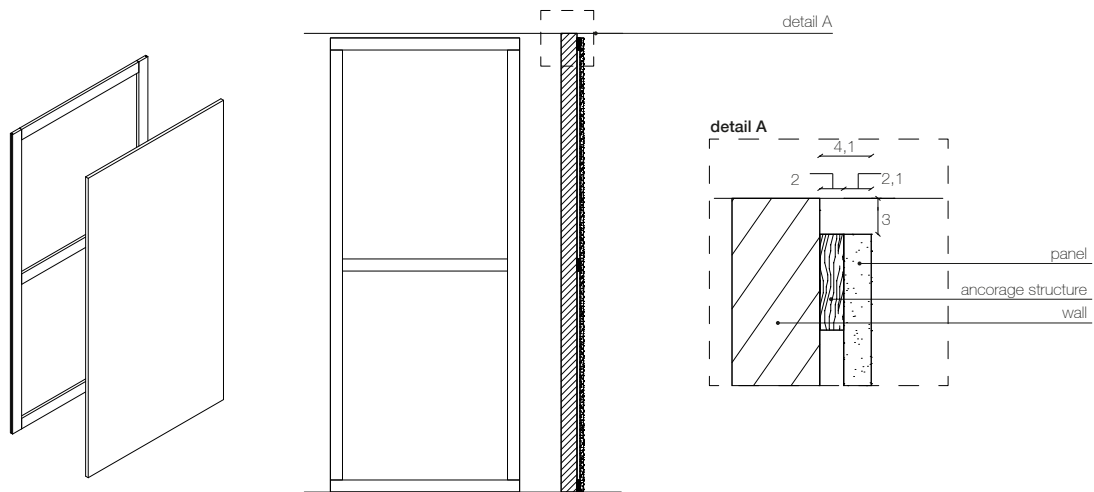
wall panel - pannello boiserie -
wandpaneel - panneau boiserie - Стеновая панель



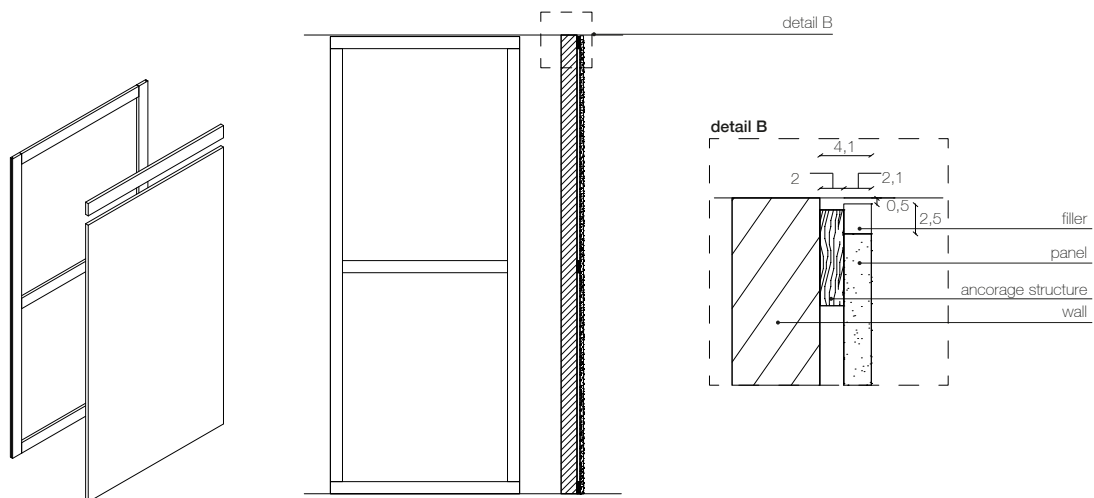
-Dimensions in centimeters and inches.
The right to discontinue and make changes is reserved.
This information is based on the latest product information available at the time of printing.

_dimensions

wall panel - pannello boiserie -
wandpaneel - panneau boiserie - Стеновая панель

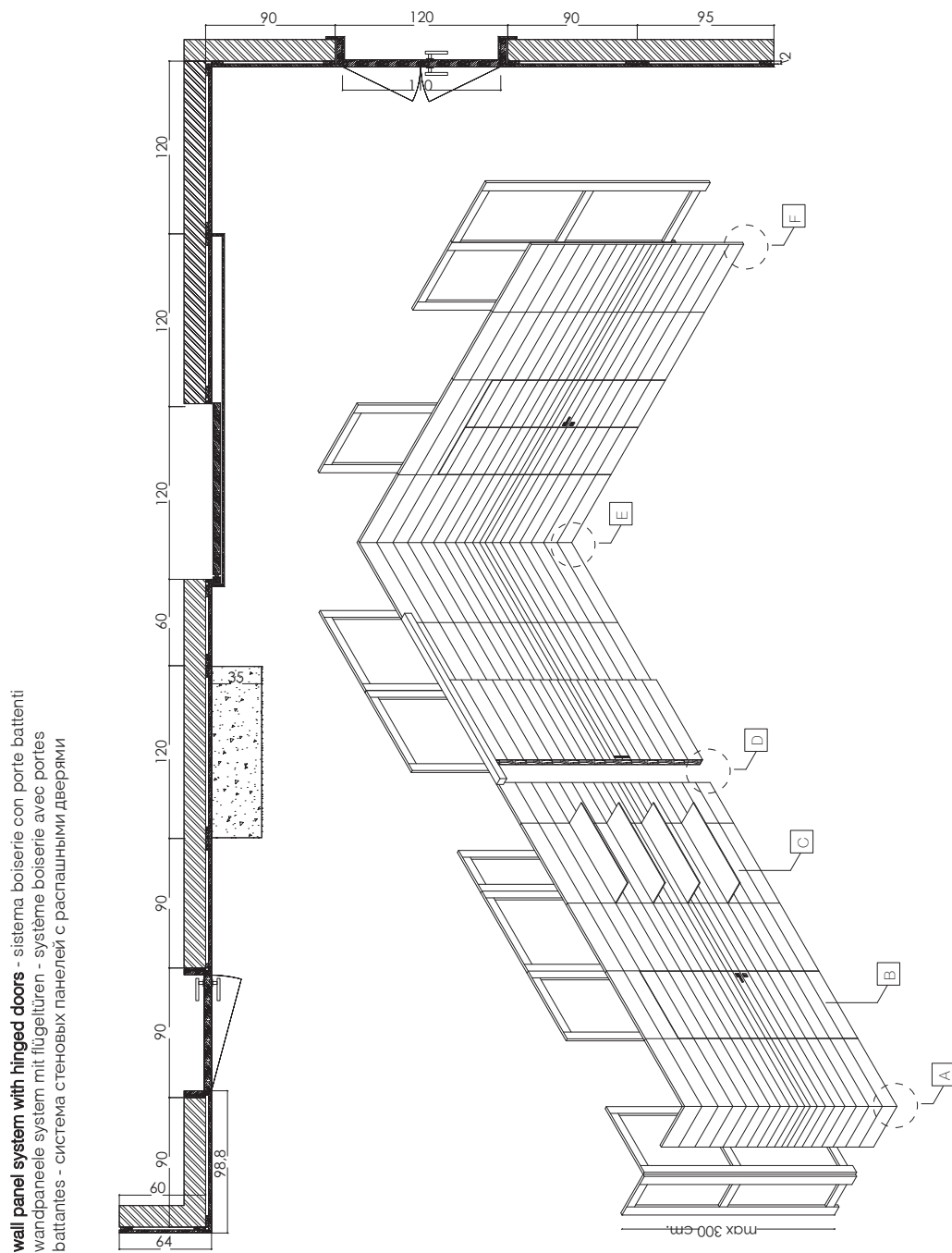


wall panel with closing band - pannello boiserie con fascia di chiusura -
wandpaneel mit schlussband - panneau boiserie avec bande de fermeture
Стеновая панель с закрывающей лентой



-Dimensions in centimeters and inches.
The right to discontinue and make changes is reserved.
This information is based on the latest product information available at the time of printing.

_dimensions



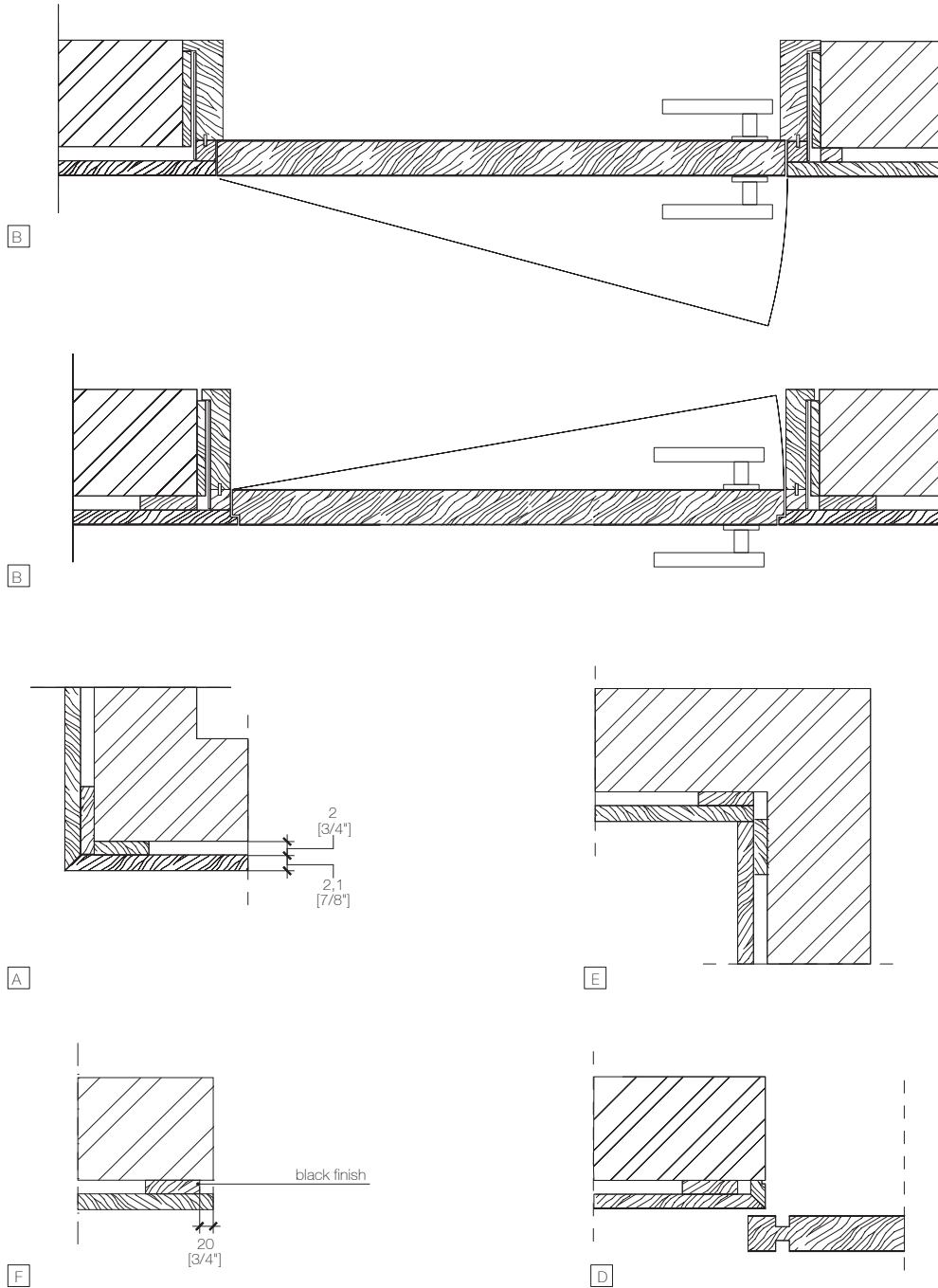
wall panel system with hinged doors - sistema boiserie con porte battenti
wandpaneel systeem met flugelüren - système boiserie avec portes
battantes - система стеновых панелей с распашными дверями

-Dimensions in centimeters and inches.

The right to discontinue and make changes is reserved.

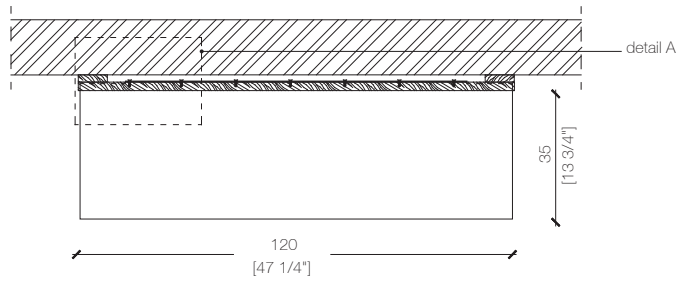
This information is based on the latest product information available at the time of printing.

_dimensions

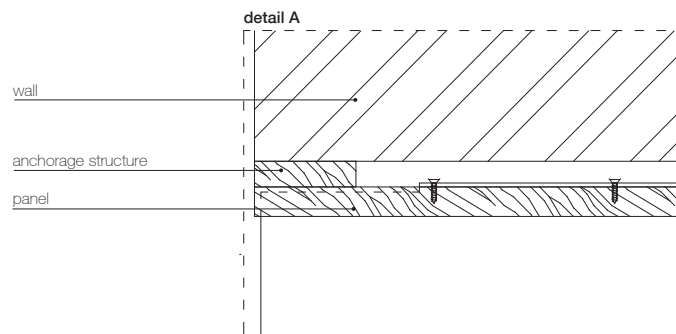


-Dimensions in centimeters and inches.
The right to discontinue and make changes is reserved.
This information is based on the latest product information available at the time of printing.

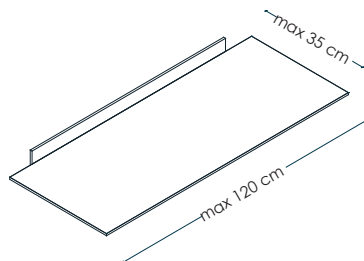
_dimensions



C

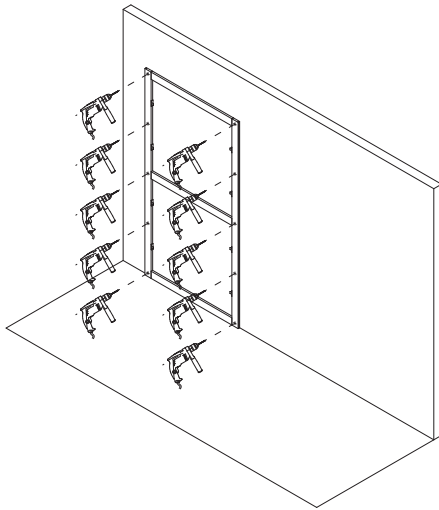


metal shelf - mensola in metallo - konsole aus metall
étagère en métal - Полка из металла

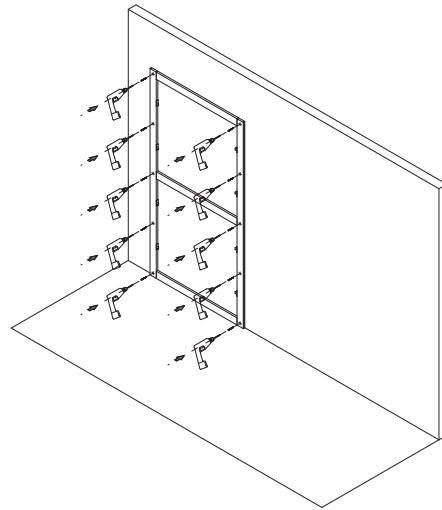


-Dimensions in centimeters and inches.
The right to discontinue and make changes is reserved.
This information is based on the latest product information available at the time of printing.

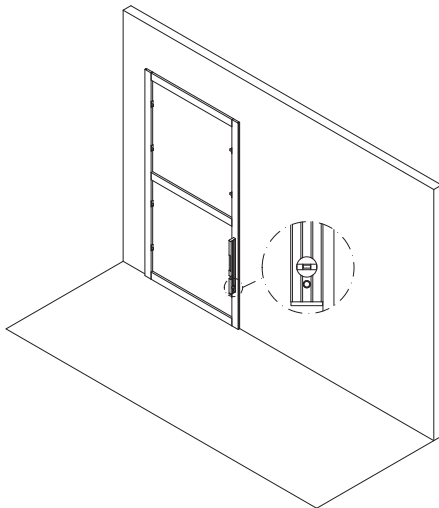
_dimensions



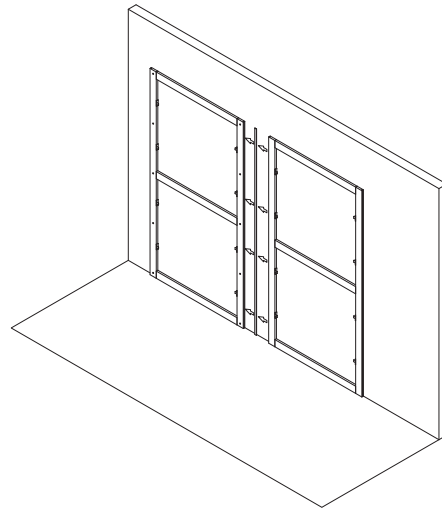
1 Drill the frame and the wall. Insert in the wall the plugs suitable for the existent wall.



2 Screw the frame to the wall.



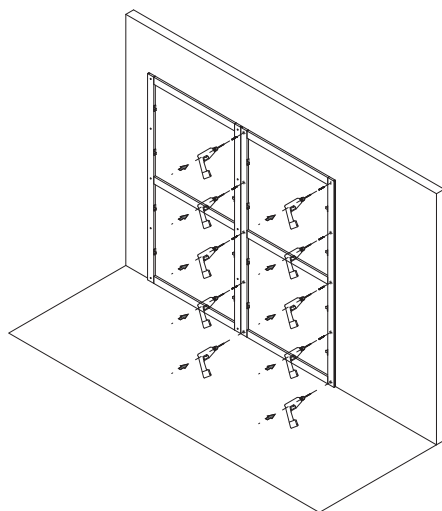
3 Check the vertical alignment.



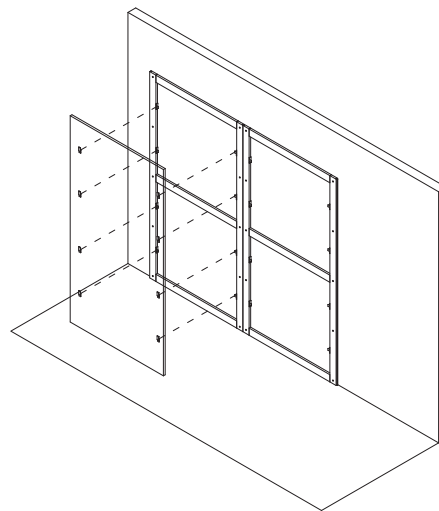
4 Place the alignment band into the proper milling on the frame. Place the second frame mortising it, through the proper milling, with the first one, already fixed to the wall.

-Dimensions in centimeters and inches.
The right to discontinue and make changes is reserved.
This information is based on the latest product information available at the time of printing.

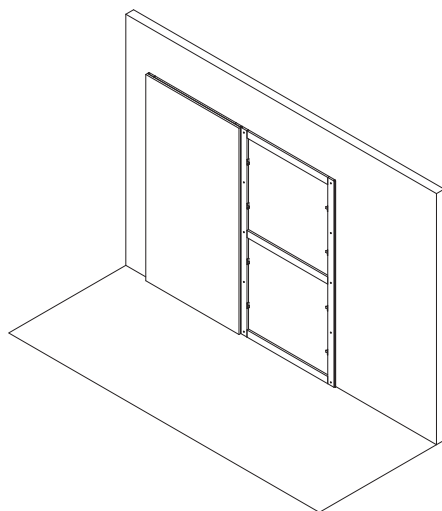
_dimensions



5 Repeat the operations nr. 1 - 2 - 3 - 4 for all the frames to be installed.



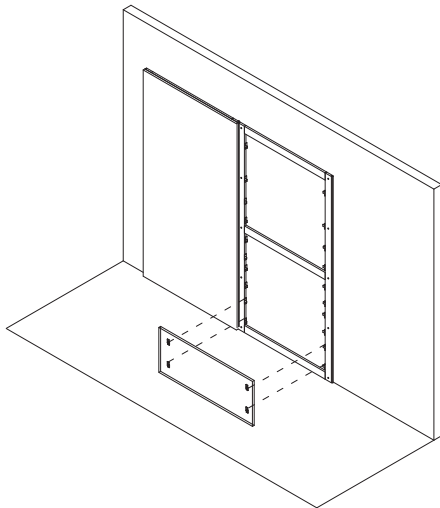
6 Hook the wall panel through the pre-mounted frame supports and the respective ones pre-installed on the panel.



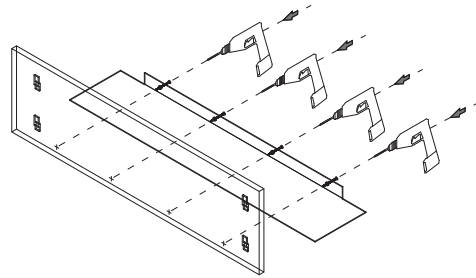
7 Proceed with the next panels.

-Dimensions in centimeters and inches.
The right to discontinue and make changes is reserved.
This information is based on the latest product information available at the time of printing.

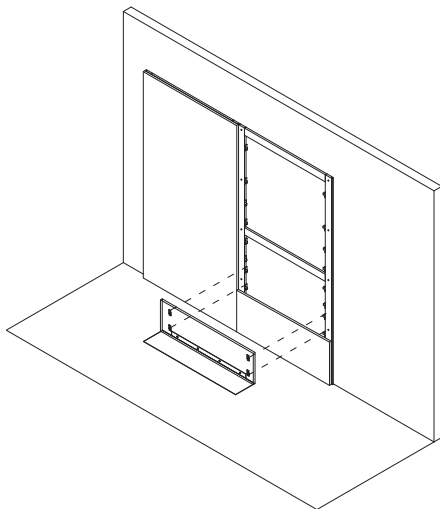
_dimensions



1 Unpack the wall panel. Hook the wall panel through the pre-mounted frame supports and the respective ones pre-installed on the panel.



2 Screw the shelf to the next panel.



3 Hook the panel with the shelf through the pre-installed frame supports and the corresponding ones pre-installed on the panel. Repeat the operations nr. 2 - 3 for all the panels with the shelves to be installed.

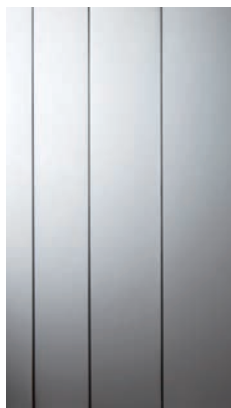
-Dimensions in centimeters and inches.
The right to discontinue and make changes is reserved.
This information is based on the latest product information available at the time of printing.

_materials & finishes

metals



Black Iron "Genere"



Polished Steel



Burnished brass



Satin brass



Satin copper



Burnished copper

_The finishes shown are indicative and refer to the entire production range.
Laurameroni reserves the right to modify the range without warning.

_maintenance

_METAL

Natural deviations in structure and colour of metals are part of the authenticity of this surface and are typical of the goods. The surface is specially hand-crafted in several complex manufacturing steps. At the end of the galvanic procedure, the surface is painted with a transparent protective lacquer which prevents further oxidising and discolouring. Differences in colour and structure are not faults, but typical of the goods, and are characteristics of manual processing: every piece is unique. For cleaning and maintenance do not use any acid, solvents or alkali-based cleaners. Do not use scouring agents, steel wool, pot cleaners or similar. Pointed or sharp objects, such as blades or knives, can damage the surface. Anything hot or damp can also be detrimental to the surface. Remove light soiling with a soft cloth and a neutral household cleaning product diluted in water. Clean the metal parts with cold or hand-hot water and finish by immediately drying with a soft cloth.

Le deviazioni naturali nella struttura e nel colore dei metalli fanno parte dell'autenticità di questa superficie e sono tipiche dei prodotti. La superficie è appositamente realizzata a mano in diverse fasi di produzione complesse. Al termine della procedura galvanica, la superficie viene verniciata con una vernice protettiva trasparente che impedisce ulteriore ossidazione e scolorimento. Le differenze di colore e struttura non sono difetti, ma tipici dei prodotti e sono caratteristiche della lavorazione manuale: ogni pezzo è unico. Per la pulizia e manutenzione non utilizzare detergenti acidi, solventi o alcali. Non usare agenti abrasivi, lana d'acciaio, detergenti per pentole o simili. Oggetti appuntiti o taglienti, come lame o coltelli, possono danneggiare la superficie. Qualsiasi cosa calda o umida può anche essere dannosa per la superficie. Rimuovere lo sporco leggero con un panno morbido e un prodotto per la pulizia neutro della casa diluito in acqua. Pulire le parti metalliche con acqua fredda o calda a mano e finire asciugando immediatamente con un panno morbido.

**BEDIF
FEREN
TBEUN
IQUE.**

LAURAMERONI s.r.l.
22040 Alzate Brianza (Como)
Via Manzoni, 2784
T +39 031 761450
info@laurameroni.com
www.laurameroni.com