

## Boiserie Dune - Dune collection

design Laurameroni



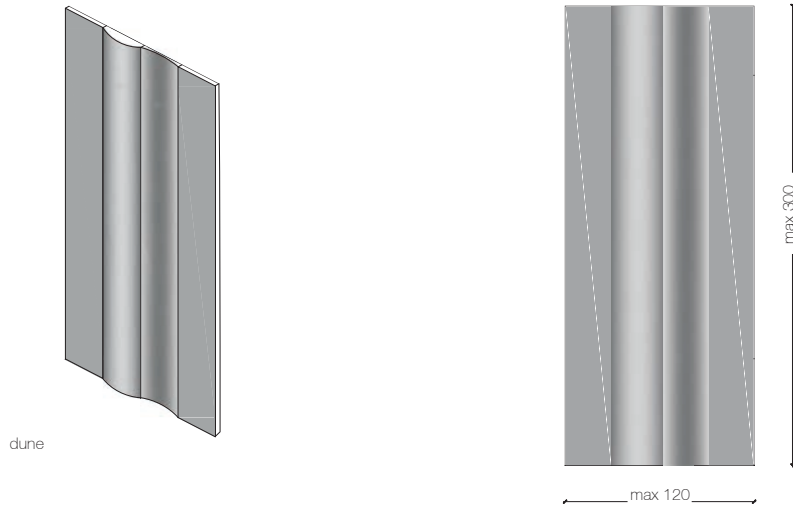
The Dune collection is made up of curved and concave modules expertly alternated to give a soft effect of movement. The macro pattern completes the Dune design, defining its modern and unique style.

La collezione Dune è costituita da moduli curvi e concavi sapientemente alternati per regalare un morbido effetto di movimento. Il pattern macro completa il design Dune definendone lo stile moderno ed unico nel suo genere.

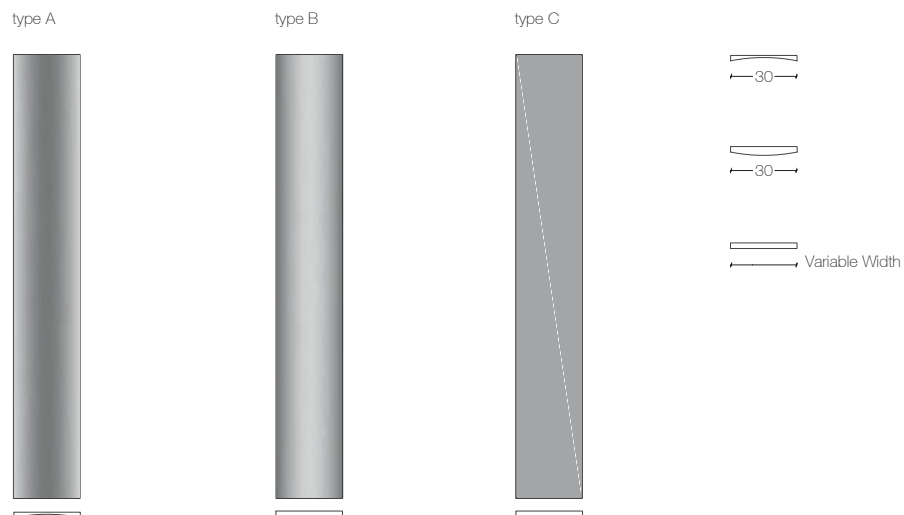


\_dimension limits

**wall panel** - pannello boiserie -  
wandpaneel - panneau boiserie - Стеновая панель



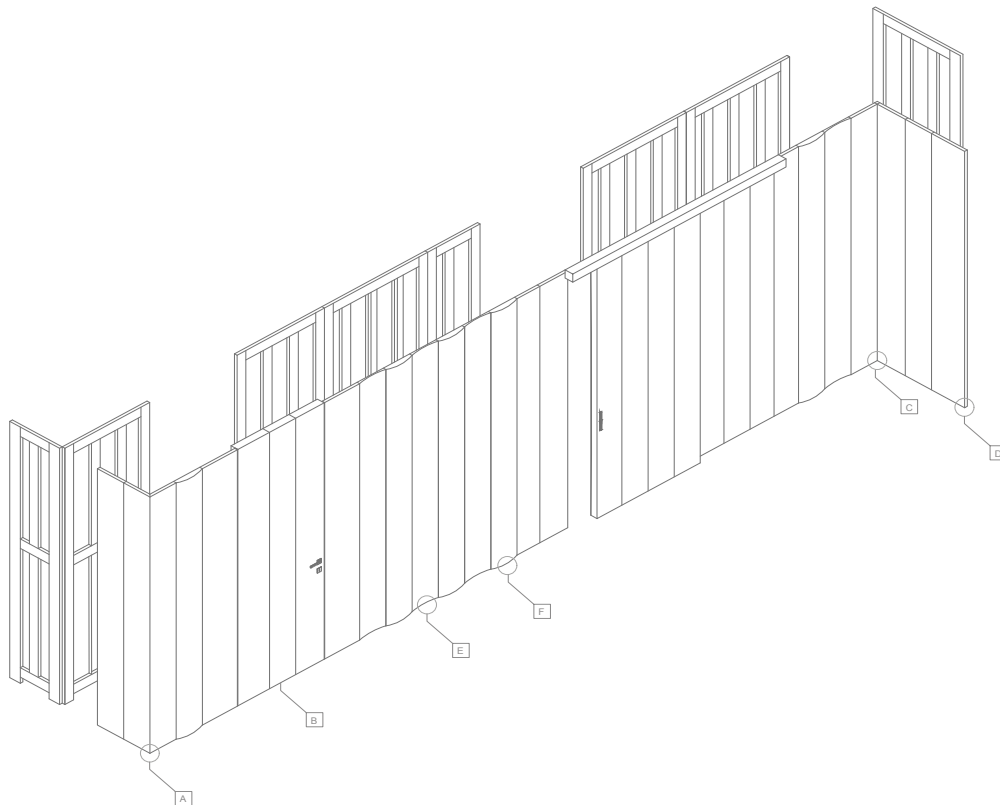
\_dimension limits



-Dimensions in centimeters and inches.  
The right to discontinue and make changes is reserved.  
This information is based on the latest product information available at the time of printing.

\_dimensions

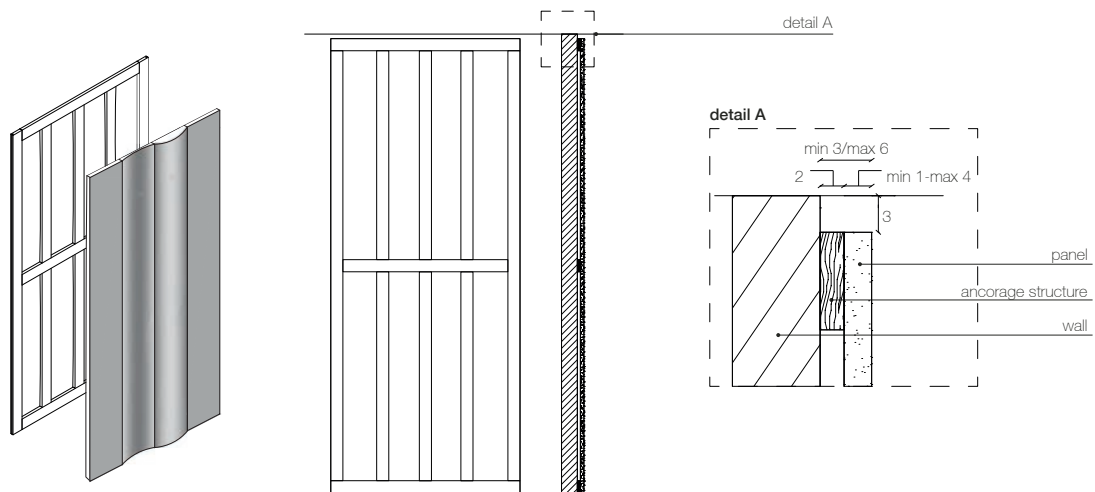
**wall panel system with hinged doors** - sistema boiserie con porte battenti  
wandpaneel system mit flügeltüren - système boiserie avec portes  
battantes - система стеновых панелей с распашными дверями



-Dimensions in centimeters and inches.  
The right to discontinue and make changes is reserved.  
This information is based on the latest product information available at the time of printing.

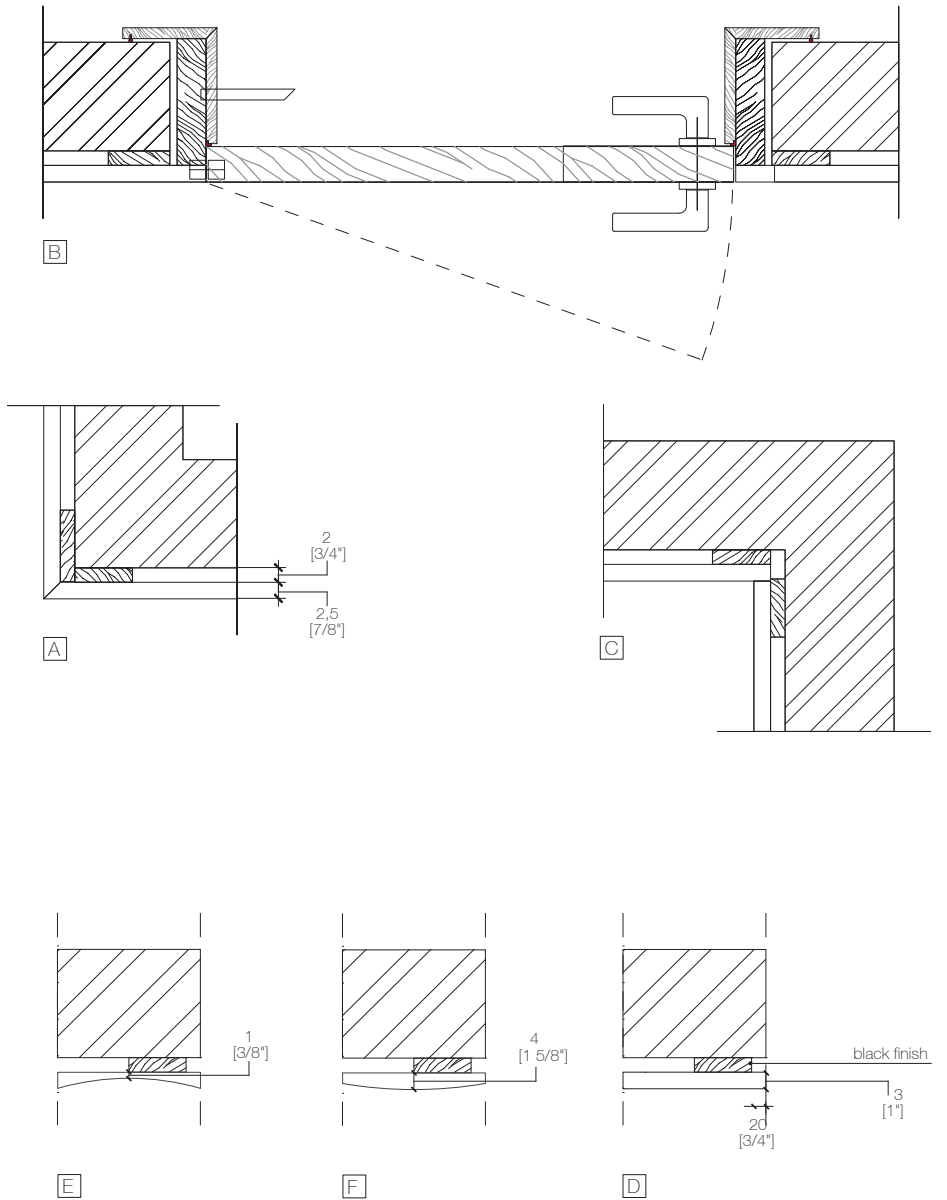
\_dimensions

**wall panel** - pannello boiserie -  
wandpaneel - panneau boiserie - Стеновая панель



-Dimensions in centimeters and inches.  
The right to discontinue and make changes is reserved.  
This information is based on the latest product information available at the time of printing.

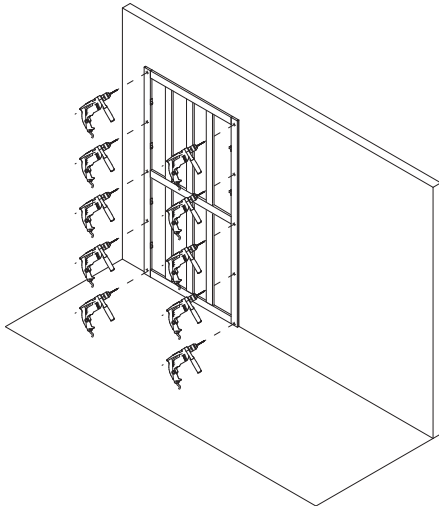
\_dimensions



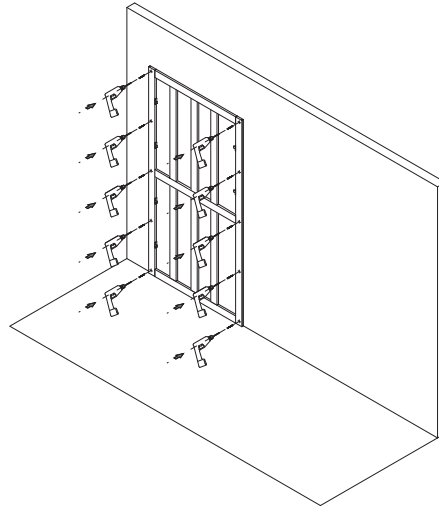
-Dimensions in centimeters and inches.  
The right to discontinue and make changes is reserved.  
This information is based on the latest product information available at the time of printing.

\_assembly instruction

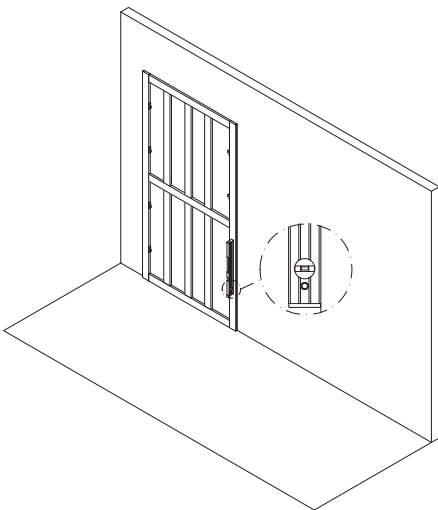
wall panels



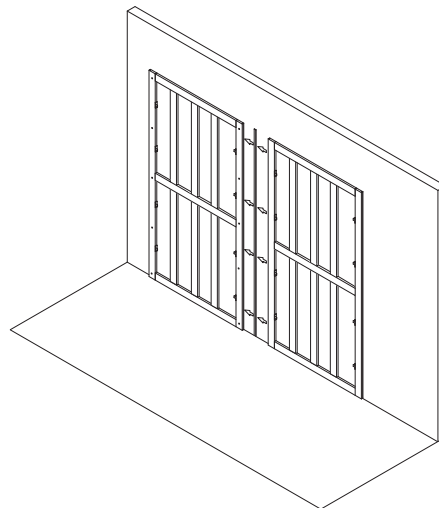
**1** Drill the frame and the wall. Insert in the wall the plugs suitable for the existent wall.



**2** Screw the frame to the wall.



**3** Check the vertical alignment.



**4** Place the alignment band into the proper milling on the frame. Place the second frame mortising it, through the proper milling, with the first one, already fixed to the wall.

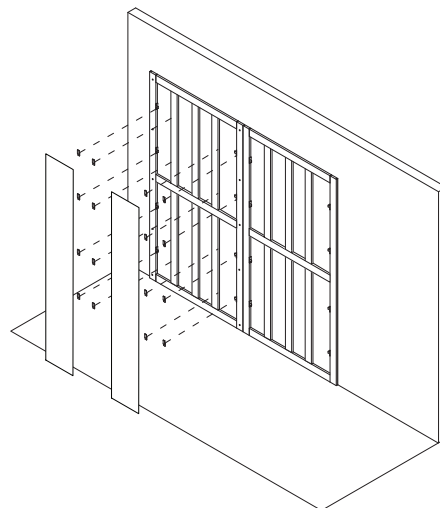
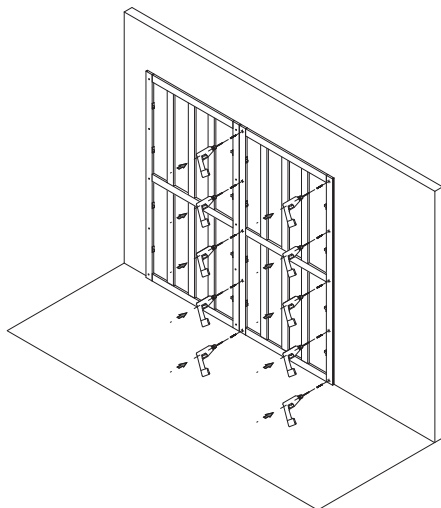
-Dimensions in centimeters and inches.

The right to discontinue and make changes is reserved.

This information is based on the latest product information available at the time of printing.

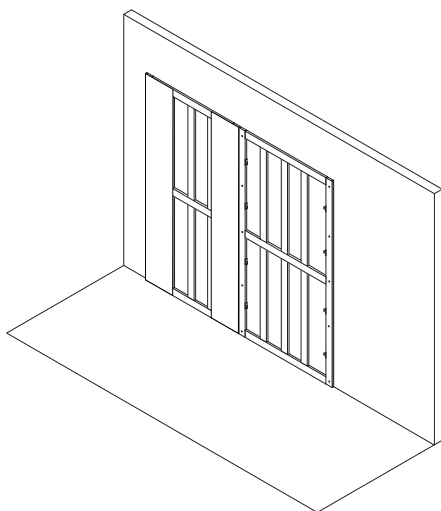
\_assembly instruction

metal shelves



**5** Repeat the operations nr. 1 - 2 - 3 - 4 for all the frames to be installed.

**6** Hook the wall panel through the pre-mounted frame supports and the respective ones pre-installed on the panel.



**7** Proceed with the next panels.

-Dimensions in centimeters and inches.  
The right to discontinue and make changes is reserved.  
This information is based on the latest product information available at the time of printing.

\_materials & finishes for shelves

ral lacquering



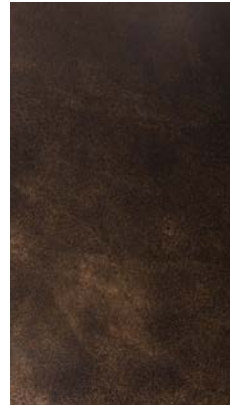
Brushed matt lacquered



Brown polished ash



Bronze delabrè



Dark bronze delabrè



Available in all  
RAL / NCS colors

\_The finishes shown are indicative and refer to the entire production range.  
Laurameroni reserves the right to modify the range without warning.



\_maintenance

**PAINTS, LACQUERINGS AND  
SPECIAL FINISHES**

Do not use acid or alkaline detergents, agents with bleaching additives, abrasive powders, steel wool, sponges or the like. Do not use furniture polish or solvents to care for painted surfaces. Anything hot or humid can cause surface damage. Pointed or sharp objects, such as blades or knives, can cause damage to the surface. For the cleaning and care, regularly wipe the surfaces with a clean, soft, lint-free cloth to remove dust while avoiding abrasion. For soft-finish painted surfaces, use a soft, lint-free, slightly damp cloth. If heavily soiled, painted surfaces can be cleaned with a neutral, silicone-free detergent. Finally, it is essential to gently rub dry surfaces, so that there is no residual moisture.

**TINTE, LACCATURE E FINITURE  
SPECIALI**

Non usare detergenti acidi o alcalini, agenti con additivi sbiancanti, polveri abrasive, lana d'acciaio, spugne o simili. Non utilizzare lucidi per mobili o solventi per la cura delle superfici verniciate. Qualsiasi cosa calda o umida può causare danni alla superficie. Oggetti appuntiti o taglienti, come lame o coltelli, possono causare danni alla superficie.

Per la pulizia e la cura, pulire regolarmente le superfici con un panno pulito, morbido e privo di lanugine per rimuovere la polvere evitando l'abrasione. Per le superfici verniciate con finitura morbida, utilizzare un panno soffice, privo di lanugine e leggermente umido. Se molto sporche, le superfici verniciate possono essere pulite con un detergente neutro privo di silicone. È infine essenziale strofinare gentilmente le superfici asciutte, in modo che non sussista umidità residua.

**BEDIF  
FEREN  
TBEUN  
IQUE.**

LAURAMERONI s.r.l.  
22040 Alzate Brianza (Como)  
Via Manzoni, 2784  
T +39 031 761450  
info@laurameroni.com  
www.laurameroni.com