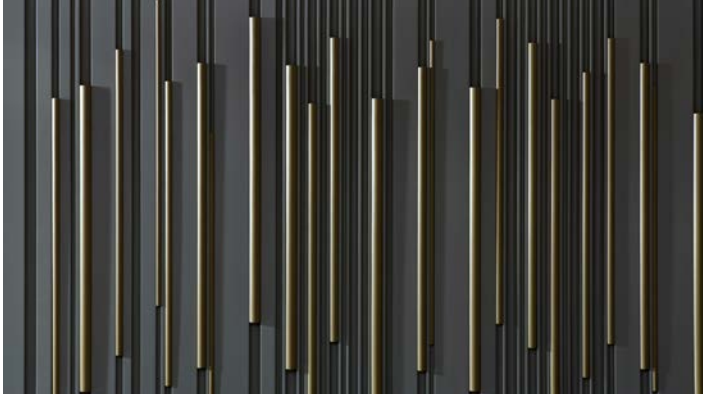


## Boiserie Bamboo - Bamboo collection

design Diego Maria Piovesan



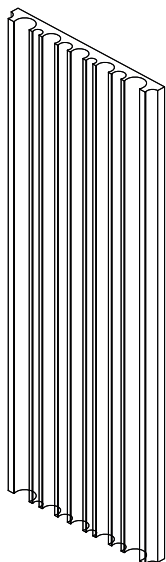
— Lacquered or wood veneered board with 9, 5, 3 or without channels on the sight side. Available in all RAL colours or wood veneered only on the flat surface. Bamboo Wall Panels are characterized by a series of channels of different sizes that cut across the surface of the panel, each time creating different designs.

— Pannelli laccati o impiallacciati in legno con 3, 5 o 9 canali (o senza canali) su lato a vista. Disponibili in tutti i colori RAL oppure impiallacciati in tutte le essenze di legno della collezione solo sulla superficie piana. I pannelli Bamboo sono caratterizzati da una serie di canali di diverse dimensioni che attraversano la superficie del pannello, creando un design sempre diverso.

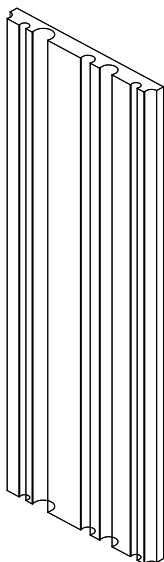


\_range

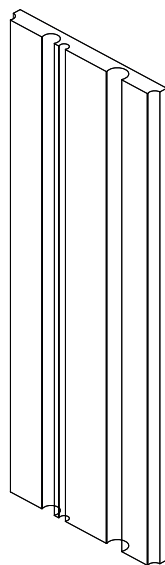
**MDF lacquered boards with channels on the sight side** - pannello in MDF laccato con canali su lato a vista -  
lackierte platte aus MDF mit nuten auf der sichtbaren seite - panneau en MDF laqué avec canaux sur le côté visible  
Лакированная панель из МДФ с канавками на лицевой стороне



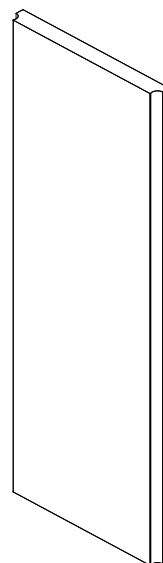
DP 001 AA



DP 001 BA

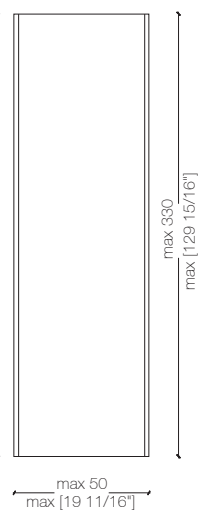
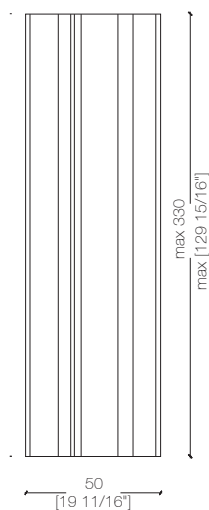
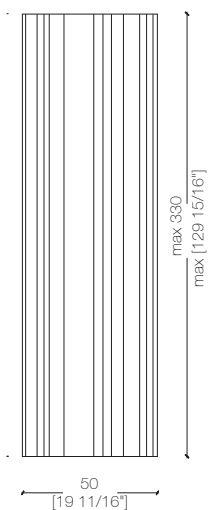
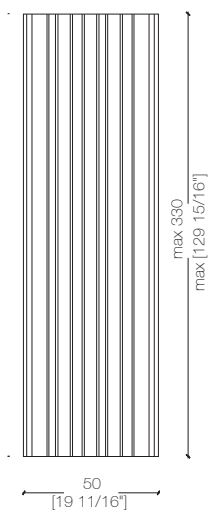


DP 001 CA



DP 012 DA

\_dimensions limits



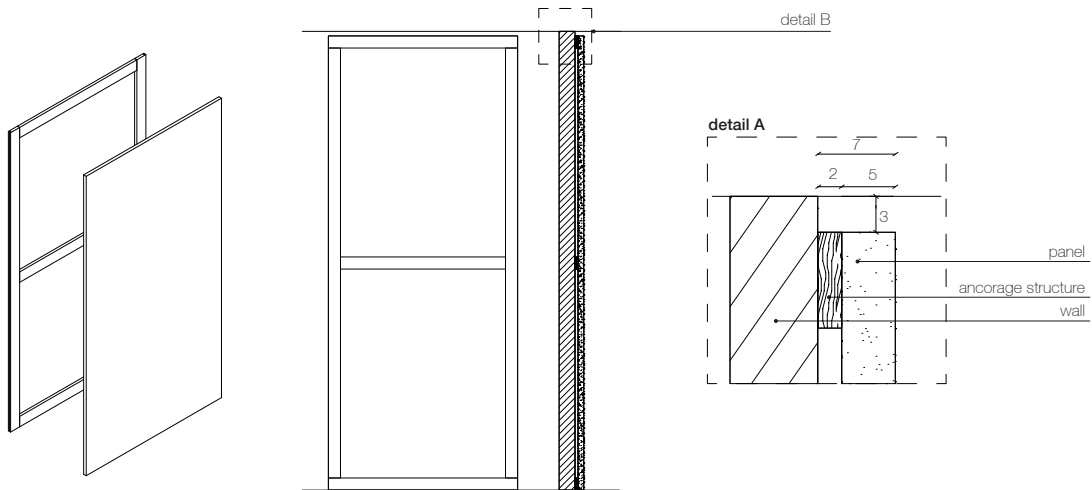
-Dimensions in centimeters and inches.

The right to discontinue and make changes is reserved.

This information is based on the latest product information available at the time of printing.

\_dimensions limits

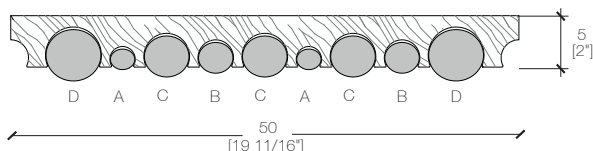
**wall panel** - pannello boiserie -  
wandpaneel - panneau boiserie - Стеновая панель



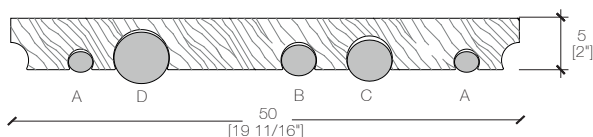
-Dimensions in centimeters and inches.  
The right to discontinue and make changes is reserved.  
This information is based on the latest product information available at the time of printing.

\_dimensions

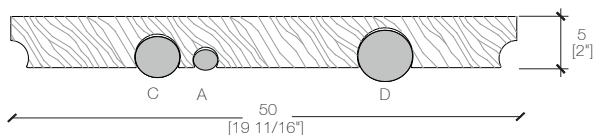
**wooden boards with 9 channels on the sight side** - pannello in legno con 9 canali su lato a vista - holzplatte mit 9 nuten auf der sichtseite - panneau en bois avec 9 canaux sur côté à vue  
деревянная панель с 9 каналами на видимой стороне



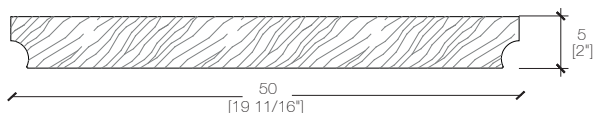
**wooden boards with 5 channels on the sight side** - pannello in legno con 5 canali su lato a vista - holzplatte mit 5 nuten auf der sichtseite - panneau en bois avec 5 canaux sur côté à vue  
деревянная панель с 5 каналами на видимой стороне



**wooden boards with 3 channels on the sight side** - pannello in legno con 3 canali su lato a vista - holzplatte mit 3 nuten auf der sichtseite - panneau en bois avec 3 canaux sur côté à vue  
деревянная панель с 3 каналами на видимой стороне



**wooden boards without channels on the sight side** - pannello in legno senza canali su lato a vista - holzplatte ohne kanäle auf der sichtbaren seite - panneau en bois sans canaux sur le côté visible - деревянная панель без швеллеров на видимой стороне



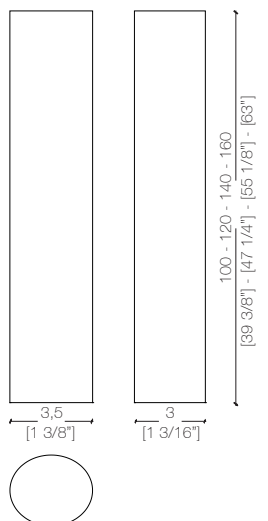
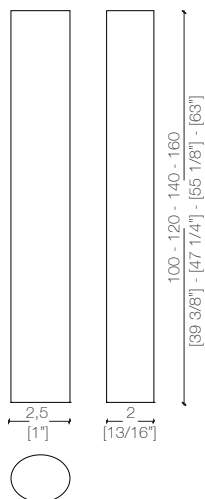
-Dimensions in centimeters and inches.

The right to discontinue and make changes is reserved.

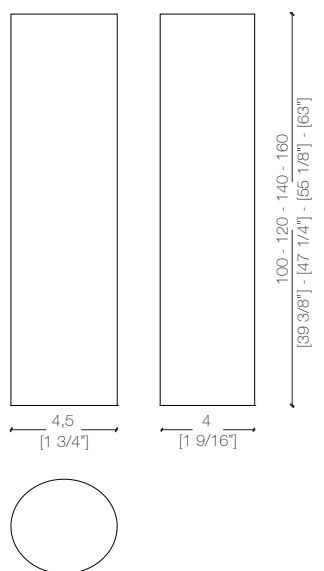
This information is based on the latest product information available at the time of printing.

\_dimensions

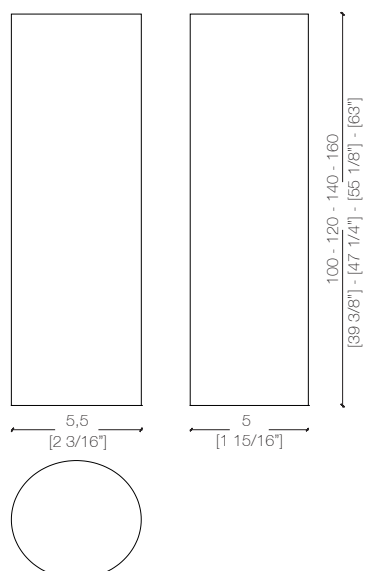
**mat lacquered elliptical wooden bars** - profili ellittici realizzati in legno laccati opachi - elliptische profile aus matt lackiertem holz  
profilés elliptiques en bois laqué mat - Эллиптические матовые лакированные профили, изготовленные из дерева



\_The 3.5 x 3 version is available with one or two LEDs inside.



\_The 4.5 x 4 version is available with one or two LEDs inside.



\_The 5.5 x 5 version is available with one or two LEDs inside.

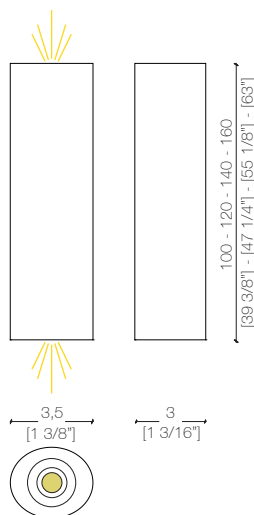
-Dimensions in centimeters and inches.

The right to discontinue and make changes is reserved.

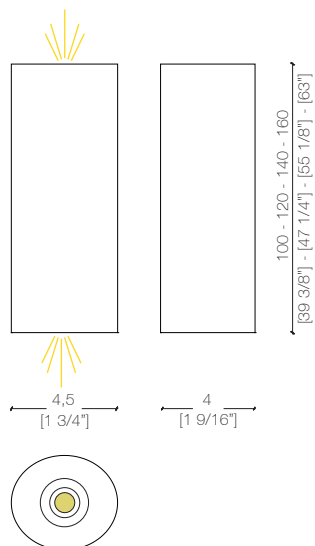
This information is based on the latest product information available at the time of printing.

\_dimensions

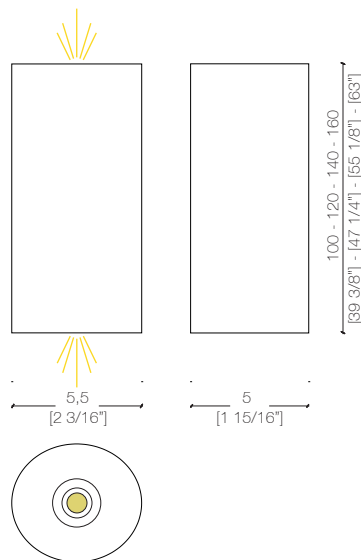
**matt lacquered elliptical wooden bars** - profili ellittici realizzati in legno laccati opachi - elliptische profile aus matt lackiertem holz  
profilés elliptiques en bois laqué mat - Эллиптические матовые лакированные профили, изготовленные из дерева



\_The 3.5 x 3 version is available with one or two LEDs inside.



\_The 4.5 x 4 version is available with one or two LEDs inside.

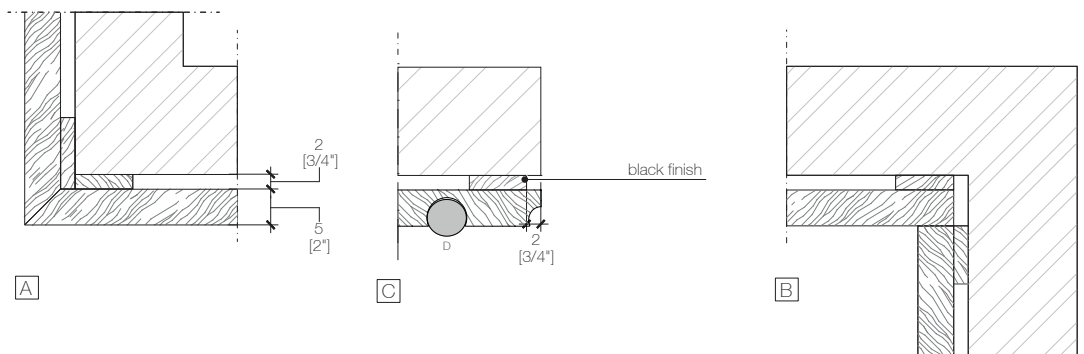
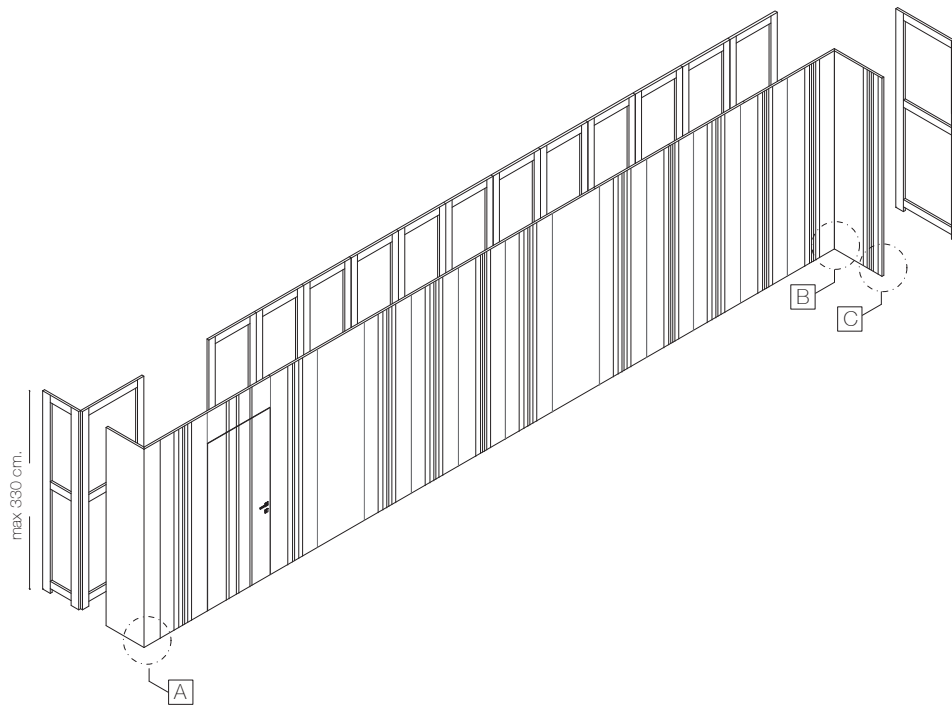


\_The 5.5 x 5 version is available with one or two LEDs inside.

-Dimensions in centimeters and inches.  
The right to discontinue and make changes is reserved.  
This information is based on the latest product information available at the time of printing.

\_dimensions

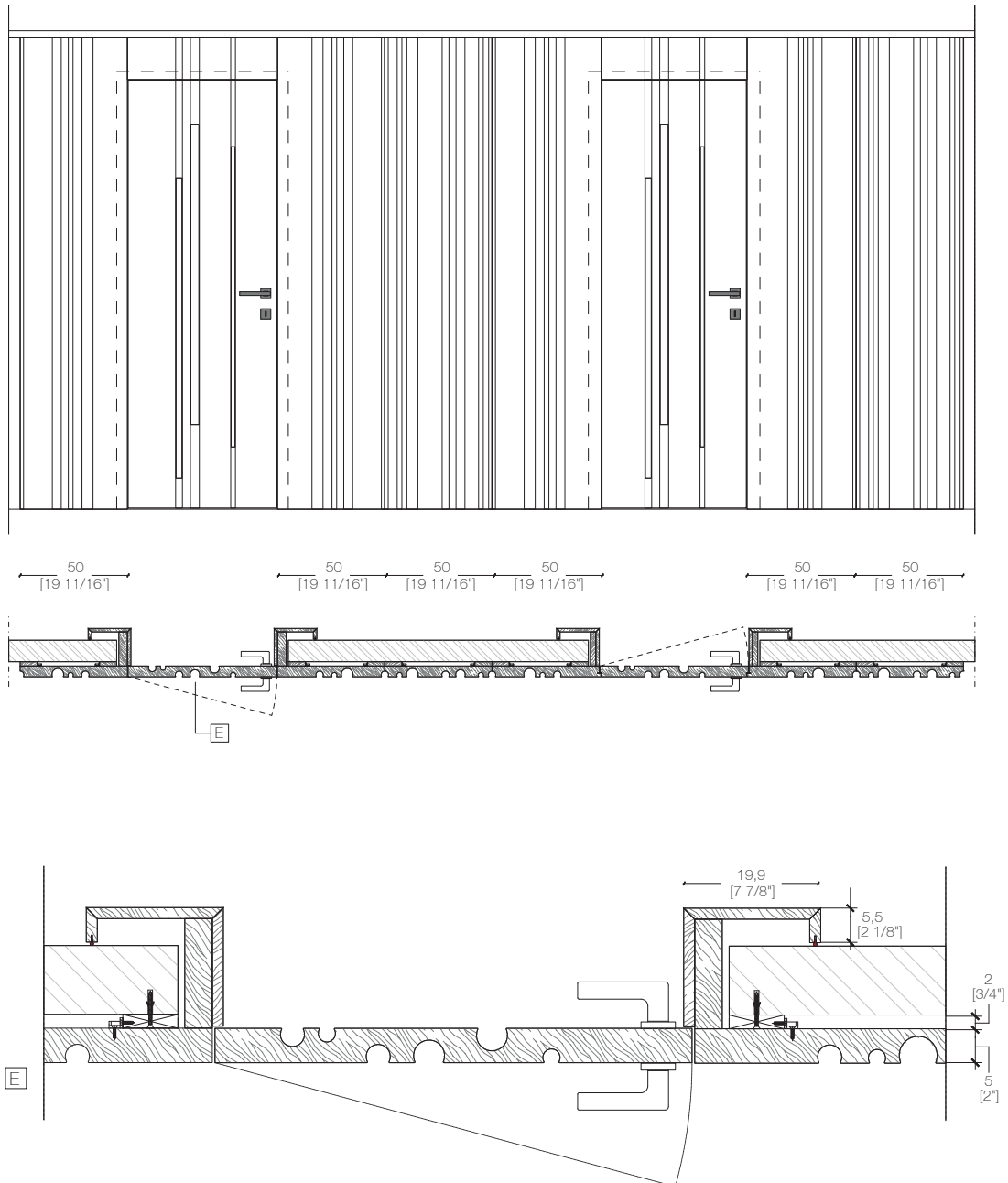
wall panel system with hinged doors - sistema boiserie con porte battenti - wandpaneel system mit flügeltüren  
système boiserie avec portes battantes - система стеновых панелей с распашными дверями



-Dimensions in centimeters and inches.  
The right to discontinue and make changes is reserved.  
This information is based on the latest product information available at the time of printing.

\_dimensions

wall panel system with hinged doors - sistema boiserie con porte battenti - wandpaneel system mit flügelüren  
système boiserie avec portes battantes - система стеновых панелей с распашными дверями

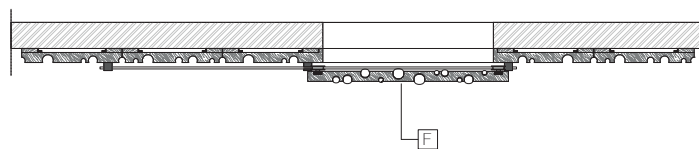
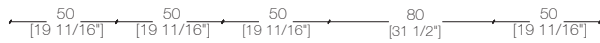
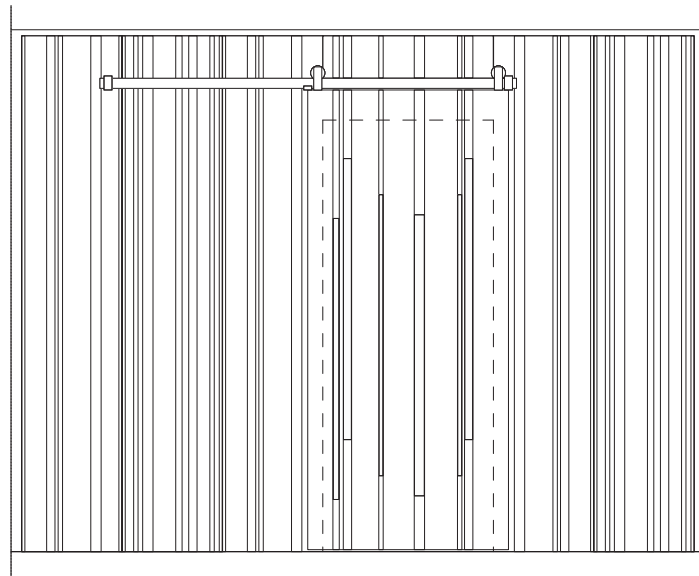


-Dimensions in centimeters and inches.  
The right to discontinue and make changes is reserved.  
This information is based on the latest product information available at the time of printing.

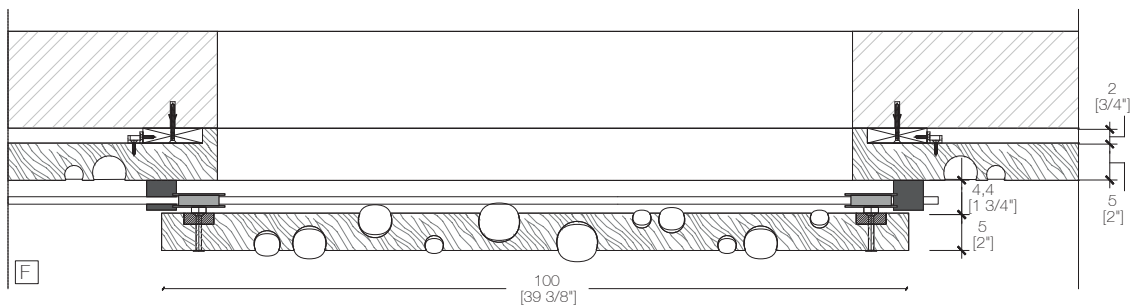


\_dimensions

wall panel system with sliding door - sistema boiserie con porta scorrevole  
boiserie-system mit schiebetür - système de boiserie avec porte coulissante - система буазери с раздвижной дверью



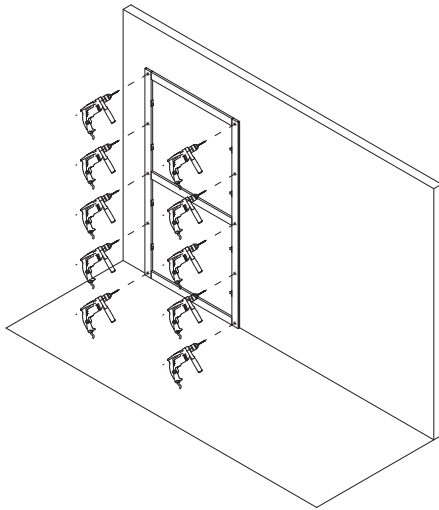
F



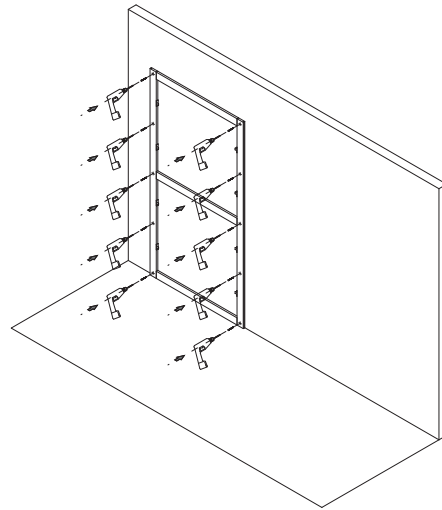
-Dimensions in centimeters and inches.  
The right to discontinue and make changes is reserved.  
This information is based on the latest product information available at the time of printing.

\_assembly instruction

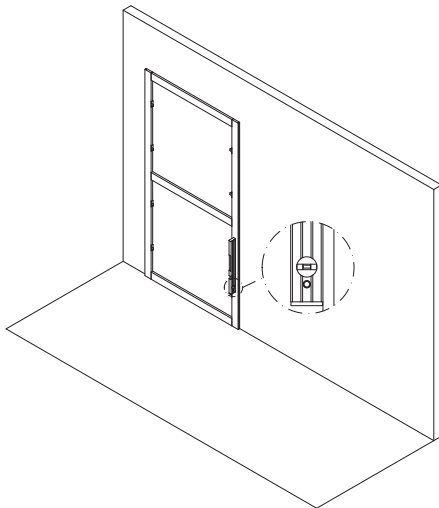
wall panels



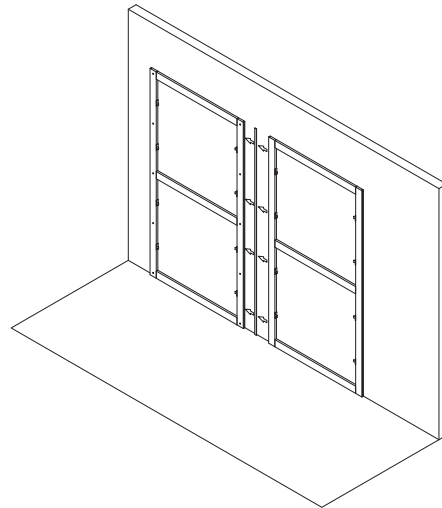
**1** Drill the frame and the wall. Insert in the wall the plugs suitable for the existent wall.



**2** Screw the frame to the wall.



**3** Check the vertical alignment.



**4** Place the alignment band into the proper milling on the frame. Place the second frame mortising it, through the proper milling, with the first one, already fixed to the wall.

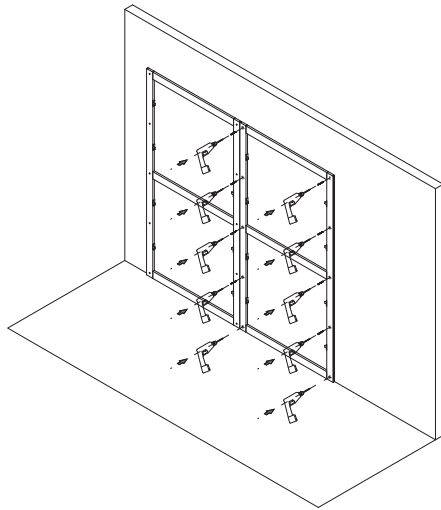
-Dimensions in centimeters and inches.

The right to discontinue and make changes is reserved.

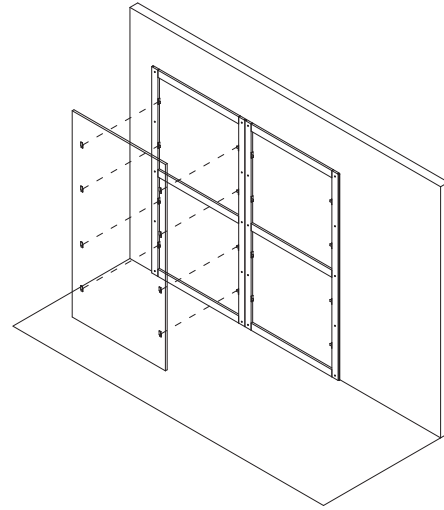
This information is based on the latest product information available at the time of printing.

\_assembly instruction

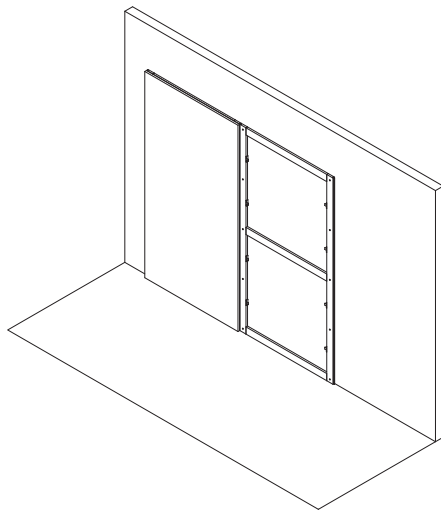
wall panels



**5** Repeat the operations nr. 1 - 2 - 3 - 4 for all the frames to be installed.



**6** Hook the wall panel through the pre-mounted frame supports and the respective ones pre-installed on the panel.

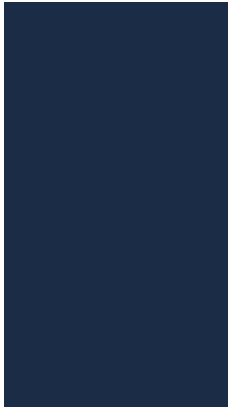


**7** Proceed with the next panels.

-Dimensions in centimeters and inches.  
The right to discontinue and make changes is reserved.  
This information is based on the latest product information available at the time of printing.

\_materials & finishes

matt lacquered



Matt lacquered



Available in all  
RAL / NCS colors

\_The finishes shown are indicative and refer to the entire production range.  
Laurameroni reserves the right to modify the range without warning.

\_maintenance

**PAINTS, LACQUERINGS AND  
SPECIAL FINISHES**

Do not use acid or alkaline detergents, agents with bleaching additives, abrasive powders, steel wool, sponges or the like. Do not use furniture polish or solvents to care for painted surfaces. Anything hot or humid can cause surface damage. Pointed or sharp objects, such as blades or knives, can cause damage to the surface. For the cleaning and care, regularly wipe the surfaces with a clean, soft, lint-free cloth to remove dust while avoiding abrasion. For soft-finish painted surfaces, use a soft, lint-free, slightly damp cloth. If heavily soiled, painted surfaces can be cleaned with a neutral, silicone-free detergent. Finally, it is essential to gently rub dry surfaces, so that there is no residual moisture.

**TINTE, LACCATURE E FINITURE  
SPECIALI**

Non usare detergenti acidi o alcalini, agenti con additivi sbiancanti, polveri abrasive, lana d'acciaio, spugne o simili. Non utilizzare lucidi per mobili o solventi per la cura delle superfici verniciate. Qualsiasi cosa calda o umida può causare danni alla superficie. Oggetti appuntiti o taglienti, come lame o coltelli, possono causare danni alla superficie.

Per la pulizia e la cura, pulire regolarmente le superfici con un panno pulito, morbido e privo di lanugine per rimuovere la polvere evitando l'abrasione. Per le superfici verniciate con finitura morbida, utilizzare un panno soffice, privo di lanugine e leggermente umido. Se molto sporche, le superfici verniciate possono essere pulite con un detergente neutro privo di silicone. È infine essenziale strofinare gentilmente le superfici asciutte, in modo che non sussista umidità residua.

**BEDIF  
FEREN  
TBEUN  
IQUE.**

LAURAMERONI s.r.l.  
22040 Alzate Brianza (Como)  
Via Manzoni, 2784  
T +39 031 761450  
info@laurameroni.com  
www.laurameroni.com