

Terre sliding door - Terre collection

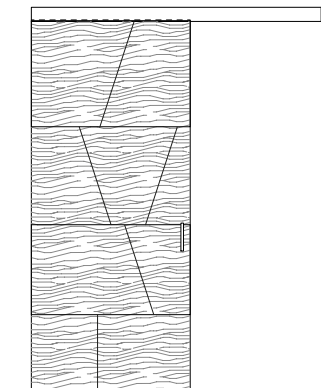
design Bartoli Design



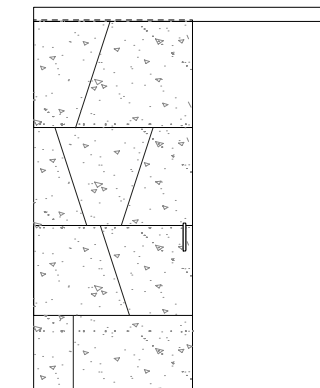
— The Terre design evokes a geometric aerial view. Rounded slabs in wood, marble or leather constitute extremely versatile custom-made modules separated by wooden profiles with a rounded section.

— Il design Terre evoca una geometrica vista aerea. Lastre arrotondate in legno, marmo o pelle costituiscono moduli su misura estremamente versatili separati da profili in legno a sezione arrotondata.

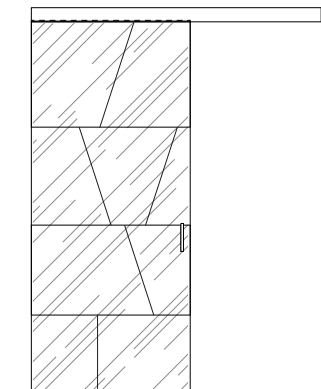
_range



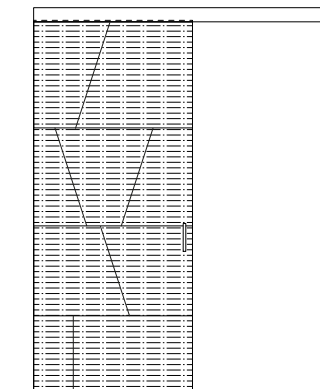
TS 12 EL sliding door in wood essence
porta scorrevole in essenza legno
porte coulissante en essence de bois
schiebetür in Holzessenz
раздвижная шпонированная дверь



TS 12 LO lacquered matt brushed sliding door
porta scorrevole laccato opaco spazzolato
porte coulissante laquée mat brossé
lackiert matt gebürstet Schiebetür
раздвижная дверь, лакированная матовая
брашированная



TS 12 OS - TS 12 OB
sliding door in satin brass or burnished brass
porta scorrevole in ottone satinato o brunito
Porte coulissante en laiton satiné ou bruni
schiebetür mit satiniertem Messingoder
brüniertem Messing
раздвижная дверь с отделкой из
сатинированной или вороненой латуни



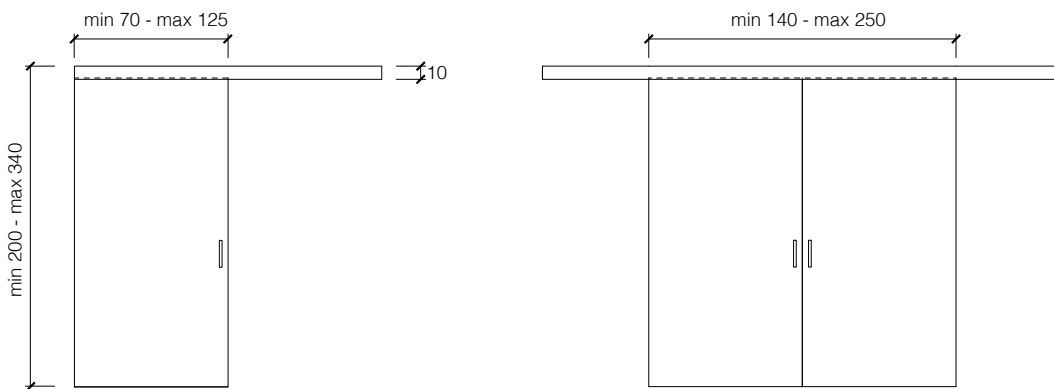
TS 12 GL Gomalacca sliding door
porta scorrevole in Gomalacca
porte coulissante en Gomalacca
Gomalacca Schiebetür
раздвижная дверь с отделкой Gomalacca

Dimensions in centimeters.

The right to discontinue and make changes is reserved.

This information is based on the latest product information available at the time of printing.

_dimensional limits



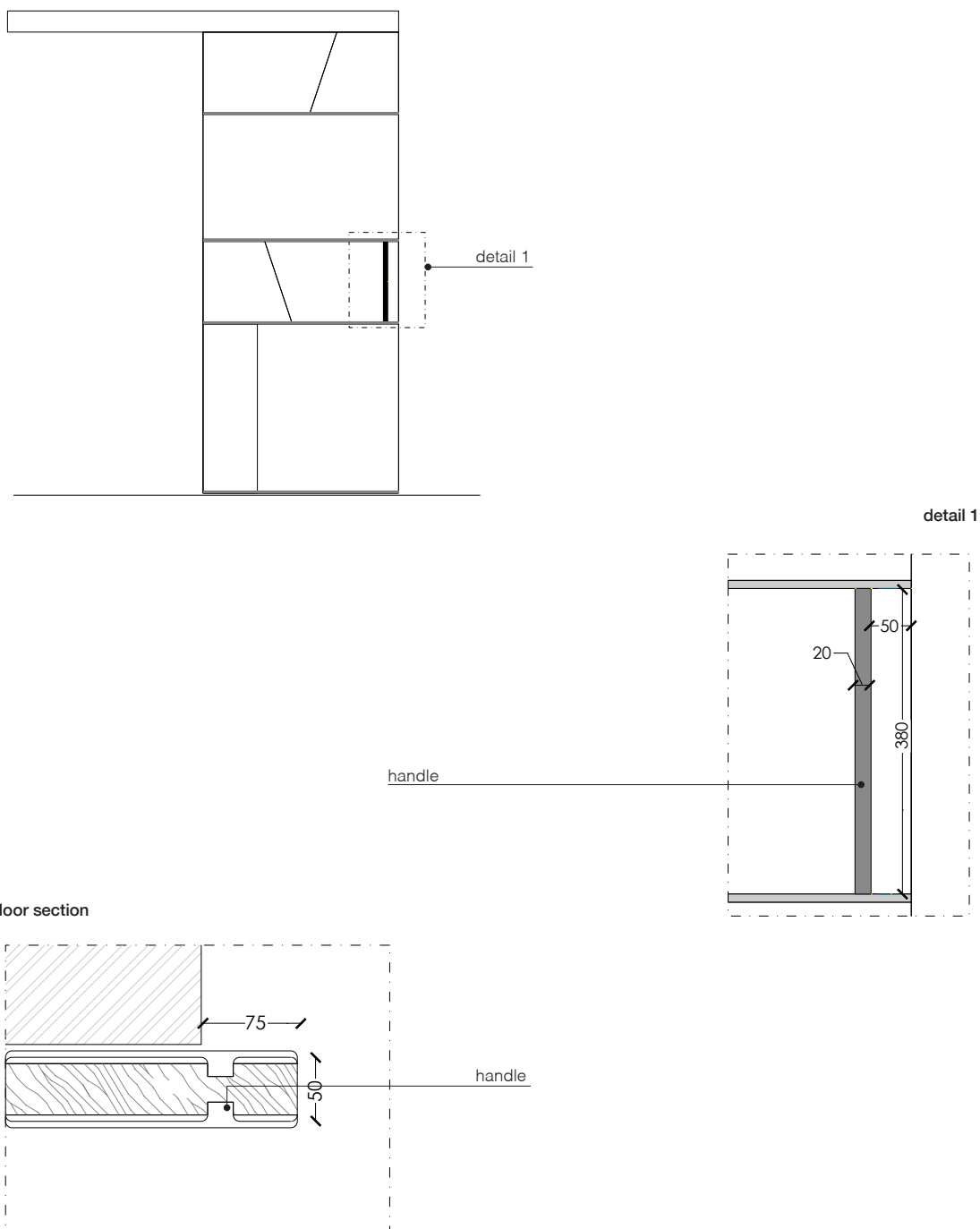
Dimensions in centimeters.

The right to discontinue and make changes is reserved.

This information is based on the latest product information available at the time of printing.

_details

handle hollowed out in the door thickness



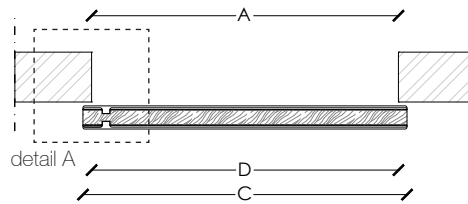
Dimensions in millimeters.

The right to discontinue and make changes is reserved.

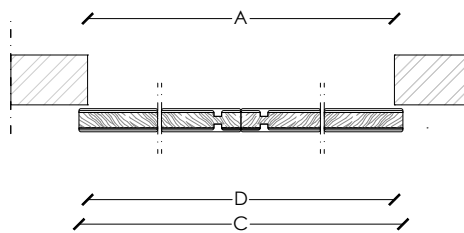
This information is based on the latest product information available at the time of printing.

_dimensions

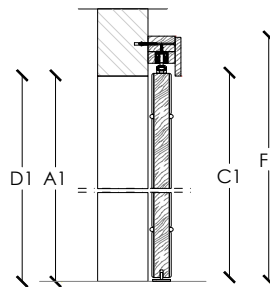
single sliding door without doorframe



double sliding door without doorframe



vertical section



legend

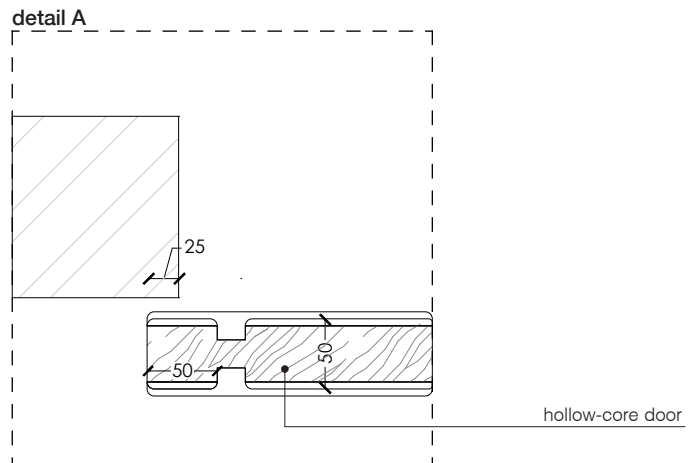
A = opening width	D
C = door	D + 50 mm
D = door way	
A1 = opening width	D1
C1 = door	D1 - 4 mm
D1 = door way	
F1 = dimensions with cover	D1 + 100 mm

Dimensions in millimeters.

The right to discontinue and make changes is reserved.

This information is based on the latest product information available at the time of printing.

_details



Dimensions in millimeters.

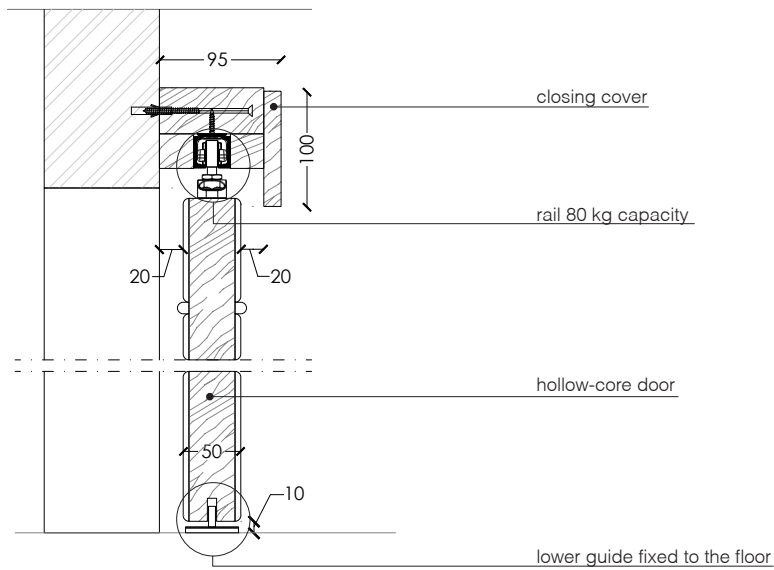
The right to discontinue and make changes is reserved.

This information is based on the latest product information available at the time of printing.

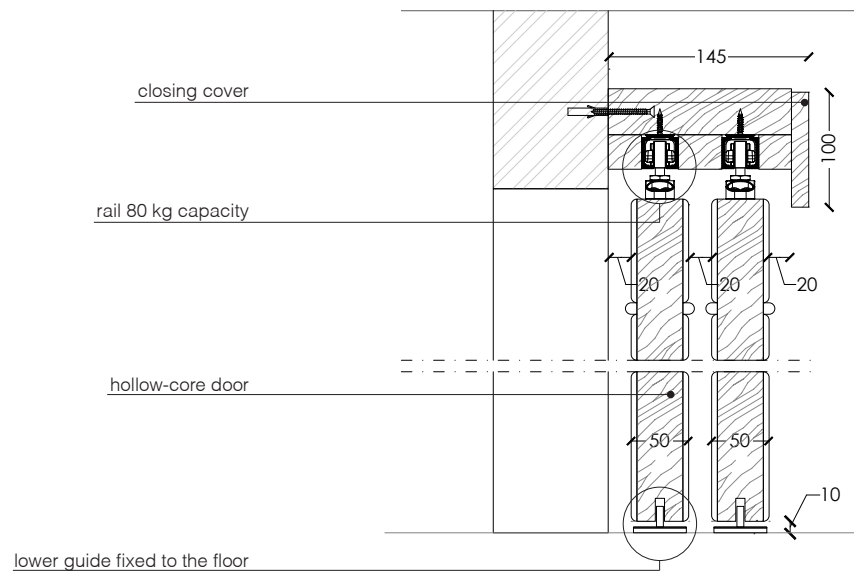
_dimensions

wall installation

door section with one way rail



door section with two-way rail



Dimensions in millimeters.

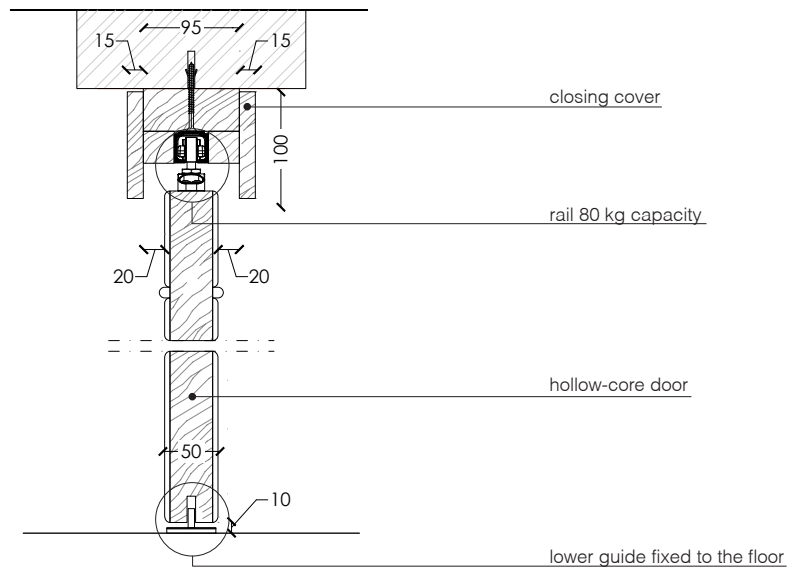
The right to discontinue and make changes is reserved.

This information is based on the latest product information available at the time of printing.

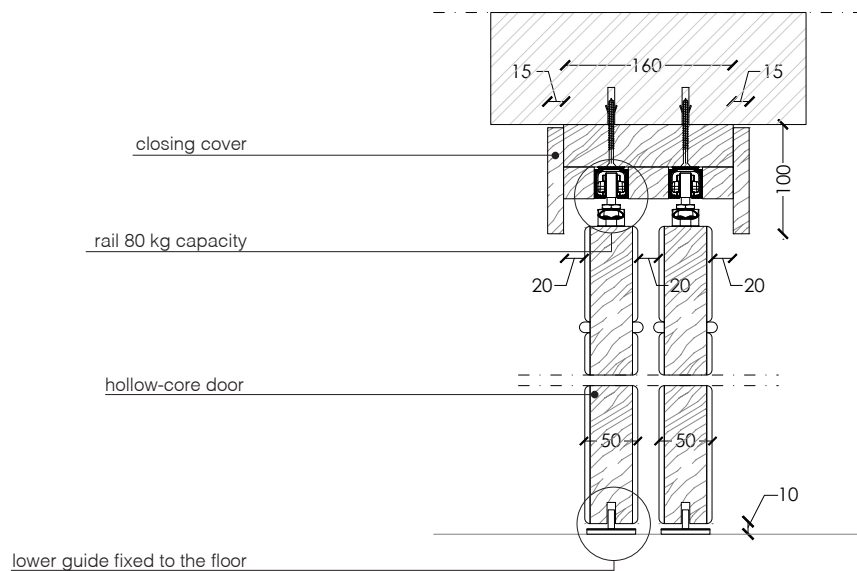
_dimensions

ceiling installation

door section with one way rail



door section with two-way rail



Dimensions in millimeters.

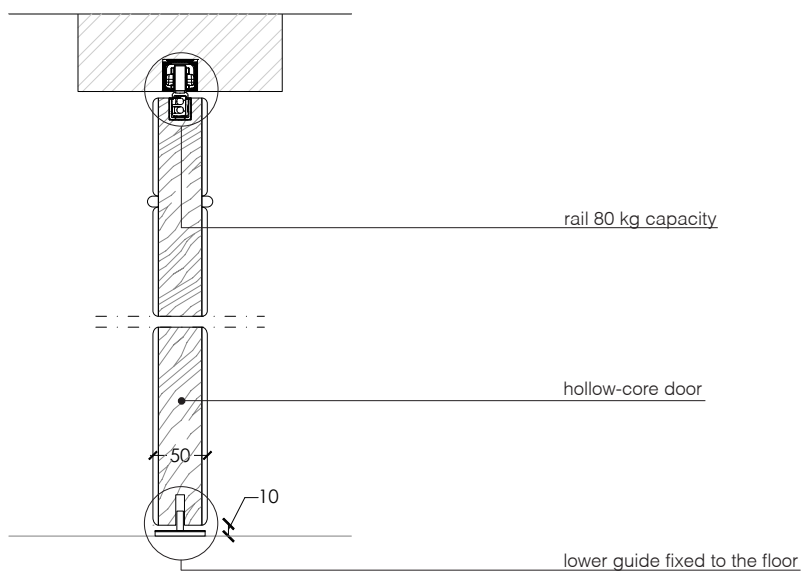
The right to discontinue and make changes is reserved.

This information is based on the latest product information available at the time of printing.

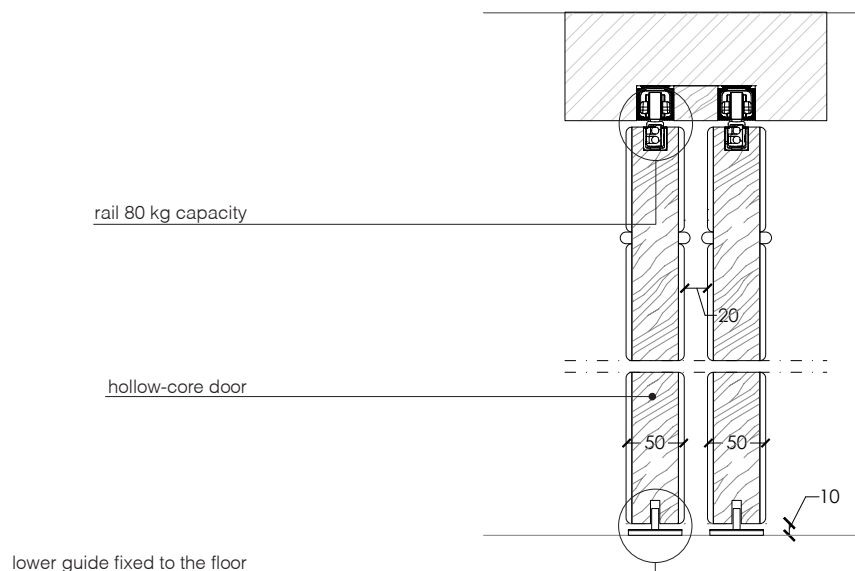
_dimensions

ceiling built-in installation

door section with one way rail



door section with two-way rail



_Dimensions in millimeters.

The right to discontinue and make changes is reserved.

This information is based on the latest product information available at the time of printing.

_materials & finishes

plain woods



Maple



Oak



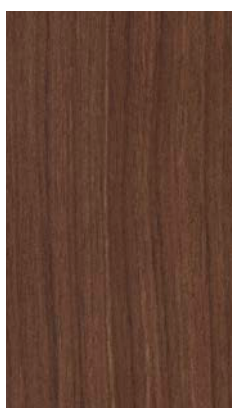
Teak



Zebrano



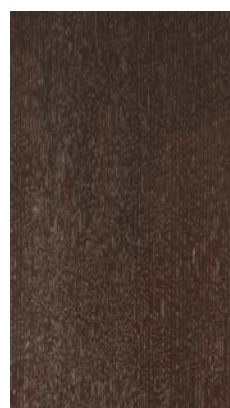
Canaletto Walnut



Dyed Canaletto walnut



Ebony



Termocotto Oak



Rosewood



Wenge



Aniline dyed



Available in all
RAL / NCS colors

_The finishes shown are indicative and refer to the entire production range.
Laurameroni reserves the right to modify the range without warning.

_materials & finishes

dyed woods



Titanium AL1105



Grey AL1106



Sand AL1851



Black AL1853



Aniline dyed



Available in all
RAL / NCS colors

_The finishes shown are indicative and refer to the entire production range.
Laurameroni reserves the right to modify the range without warning.

_materials & finishes

brushed matt lacquered



Brushed matt lacquered



Available in all
RAL / NCS colors

_materials & finishes

metals



Satin Brass

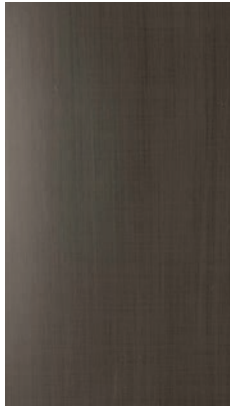


Burnished Brass

_The finishes shown are indicative and refer to the entire production range.
Laurameroni reserves the right to modify the range without warning.

_materials & finishes

gommalacca



Gommalacca Grey



Gommalacca Mist



Gommalacca Brown



Gommalacca Red

_The finishes shown are indicative and refer to the entire production range.
Laurameroni reserves the right to modify the range without warning.

_handles



Recessed satin steel handle



Recessed satin steel handle with lock

_maintenance

_WOOD

To maintain the natural wood features and protect them from mechanical and chemical wear, the veneered surfaces are coated with a high-quality transparent varnish. Do not use acid or alkaline detergents, agents with bleaching additives, abrasive powders, steel wool, sponges or the like. Anything hot or humid can cause surface damage. Remove dirt and liquids immediately.

For the cleaning and care, it is best to use a soft, dry cloth. If necessary, the cloth can be slightly dampened and dipped in neutral detergent thoroughly diluted in water. The cloth should only be slightly damp to avoid discoloration or swelling of the surface. Finally, it is essential to gently rub dry surfaces, so that there is no residual moisture.

_LEGNO

Per mantenere il carattere naturale del legno e proteggerlo dall'usura meccanica e chimica, le superfici impiallacciate sono rivestite con una vernice trasparente di alta qualità. Non usare detergenti acidi o alcalini, agenti con additivi sbiancanti, polveri abrasive, lana d'acciaio, spugne o simili. Qualsiasi cosa calda o umida può causare danni alla superficie. Rimuovere immediatamente sporco e liquidi. Per la pulizia e la cura, è preferibile utilizzare un panno morbido e asciutto. Eventualmente il panno può essere leggermente inumidito ed intinto in detergente neutro abbondantemente diluito in acqua. Il panno deve essere solo leggermente umido, per evitare scolorimenti o rigonfiamenti della superficie. È infine essenziale strofinare gentilmente le superfici asciutte, in modo che non sussista umidità residua.

_maintenance

**PAINTS, LACQUERINGS AND
SPECIAL FINISHES**

Do not use acid or alkaline detergents, agents with bleaching additives, abrasive powders, steel wool, sponges or the like. Do not use furniture polish or solvents to care for painted surfaces. Anything hot or humid can cause surface damage. Pointed or sharp objects, such as blades or knives, can cause damage to the surface. For the cleaning and care, regularly wipe the surfaces with a clean, soft, lint-free cloth to remove dust while avoiding abrasion. For soft-finish painted surfaces, use a soft, lint-free, slightly damp cloth. If heavily soiled, painted surfaces can be cleaned with a neutral, silicone-free detergent. Finally, it is essential to gently rub dry surfaces, so that there is no residual moisture.

**TINTE, LACCATURE E FINITURE
SPECIALI**

Non usare detersivi acidi o alcalini, agenti con additivi sbiancanti, polveri abrasive, lana d'acciaio, spugne o simili. Non utilizzare lucidi per mobili o solventi per la cura delle superfici verniciate. Qualsiasi cosa calda o umida può causare danni alla superficie. Oggetti appuntiti o taglienti, come lame o coltelli, possono causare danni alla superficie.
Per la pulizia e la cura, pulire regolarmente le superfici con un panno pulito, morbido e privo di lanugine per rimuovere la polvere evitando l'abrasione. Per le superfici verniciate con finitura morbida, utilizzare un panno soffice, privo di lanugine e leggermente umido. Se molto sporche, le superfici verniciate possono essere pulite con un detersivo neutro privo di silicone. È infine essenziale strofinare gentilmente le superfici asciutte, in modo che non sussista umidità residua.

_maintenance

METAL & LIQUID METAL

To maintain the natural features of the metal and to protect the specific craftsmanship from oxidation and discoloration, the metal surfaces are coated with a high-quality transparent varnish. Do not use acid cleaners, solvents or alkalis. Do not use abrasive agents, steel wool, pot cleaners, glass cleaners, aggressive solvents, dyes, bleach or the like. Pointed or sharp objects, such as blades or knives, can cause damage to the surface. Anything hot or humid can cause surface damage.

For cleaning and care, remove light dirt with a soft cloth and a neutral household cleaning product well diluted in water. Gently clean the metal parts by hand with cold or warm water and dry immediately with a soft cloth.

METALLO & METALLO LIQUIDO

Per mantenere il carattere naturale del metallo e tutelare la specifica lavorazione artigianale da ossidazione e scolorimento, le superfici metalliche sono rivestite con una vernice trasparente di alta qualità.

Non utilizzare detergenti acidi, solventi o alcali. Non usare agenti abrasivi, lana d'acciaio, detergenti per pentole, detergenti per vetri, solventi aggressivi, coloranti, candeggina o simili. Oggetti appuntiti o taglienti, come lame o coltelli, possono causare danni alla superficie. Qualsiasi cosa calda o umida può causare danni alla superficie.

Per la pulizia e la cura, rimuovere lo sporco leggero con un panno morbido ed un prodotto neutro per la pulizia della casa abbondantemente diluito in acqua.

Pulire delicatamente a mano le parti metalliche con acqua fredda o tiepida ed asciugare immediatamente con un panno morbido.

**BEDIF
FEREN
TBEUN
IQUE.**

LAURAMERONI s.r.l.
22040 Alzate Brianza (Como)
Via Manzoni, 2784
T +39 031 761450
info@laurameroni.com
www.laurameroni.com