

Line sliding door - Line collection

design Cesare Arosio



Wood veneered sliding door with vertical and horizontal satin or burnished brass channels, available in different dimensions and in combination with Line Wall Panels to create a unique system.

The combination of these two elements creates a continuous wall, where the succession of vertical bands incorporates the door space, making it a unique system. Line doors, in combination with wall panels, are designed for luxury environments to create a sophisticated atmosphere thanks to a unique design and the use of precious materials.



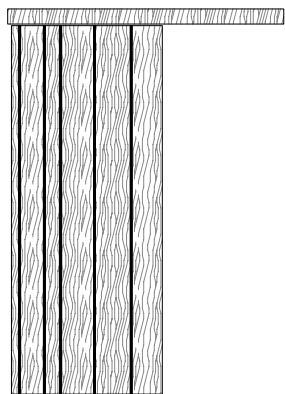
Porta scorrevole impiallacciata in legno con canali orizzontali o verticali in ottone satinato o brunito, disponibile in diverse dimensioni e in combinazione con la boiserie Line per creare un sistema integrato.

La combinazione di questi due elementi crea una parete continua, in cui la successione di linee verticali incorpora la porta, trasformandolo in un sistema unico. Le porte Line, in combinazione con i pannelli boiserie, sono disegnate per ambienti di lusso dove prevale un'atmosfera sofisticata grazie al design unico e all'uso di materiali pregiati.

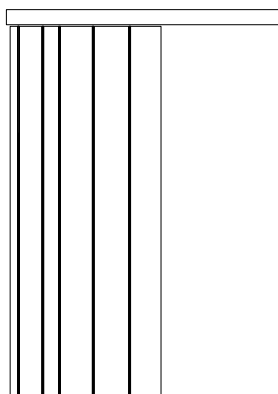
_range

line wood veneered door

line lacquered wood door

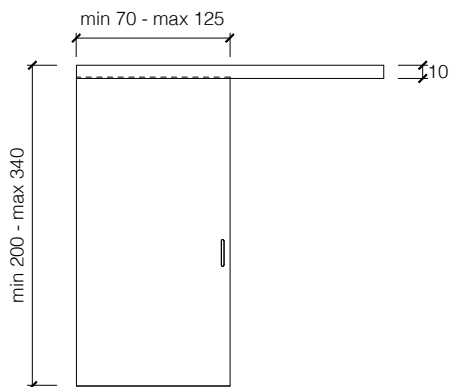


CA 32 SL sliding door - porta scorrevole
porte coulissante - Schiebetür - раздвижная дверь

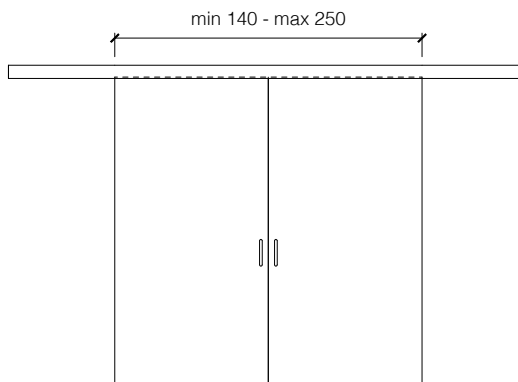


CA 32 SA sliding door - porta scorrevole
porte coulissante - Schiebetür - раздвижная дверь

_dimensional limits



single sliding door



symmetrical double sliding door

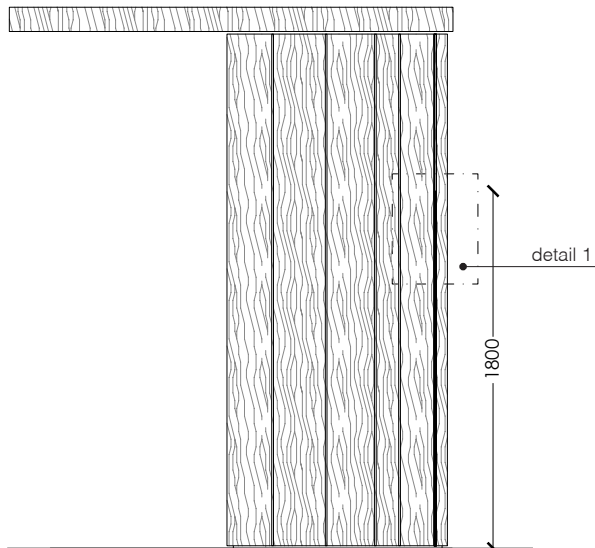
_Dimensions in millimeters.

The right to discontinue and make changes is reserved.

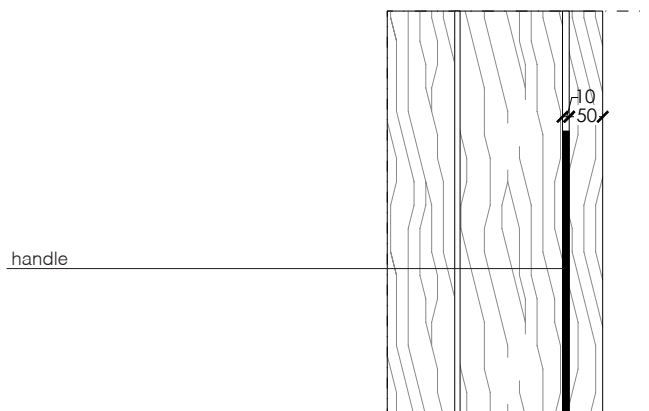
This information is based on the latest product information available at the time of printing.

_details

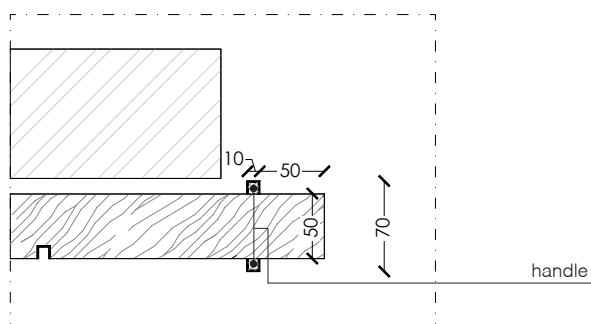
handle hollowed out in the door thickness



detail 1



door section



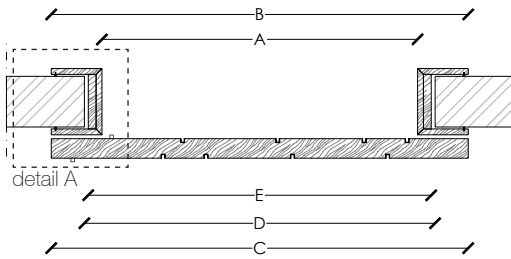
_Dimensions in millimeters.

The right to discontinue and make changes is reserved.

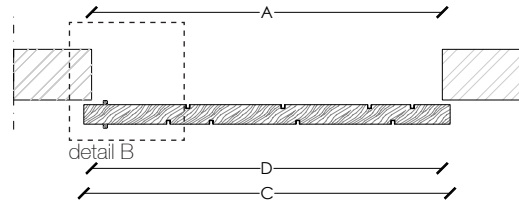
This information is based on the latest product information available at the time of printing.

_dimensions

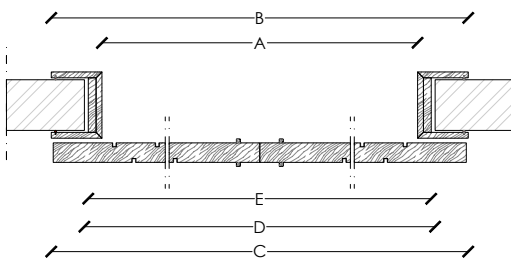
single sliding door with doorframe
door aligned with the covers



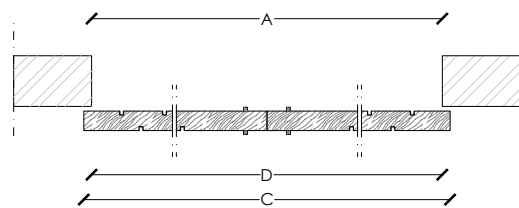
single sliding door without doorframe



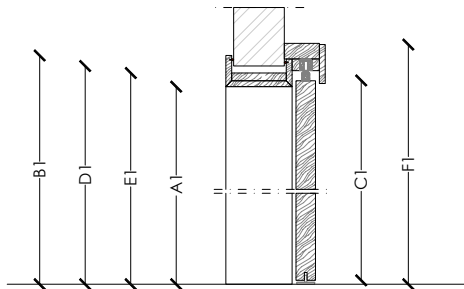
double sliding door with doorframe
door aligned with the covers



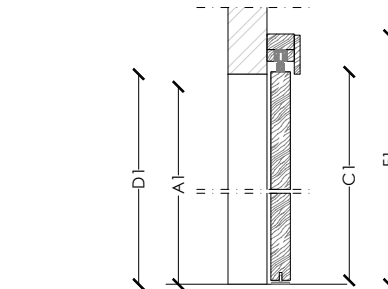
double sliding door without doorframe



vertical section



vertical section



legend

A = opening width	D - 90 mm
B = covering dimensions	D + 260 mm
C = door	D + 260 mm
D = door way	
E = doorframe dimensions	D - 20 mm
A1 = opening width	D1 - 53 mm
B1 = covering dimensions	D1 + 27 mm
C1 = door	D1 - 48 mm
D1 = door way	
E1 = doorframe dimensions	D1 - 18 mm
F1 = dimensions with cover	D1 + 55 mm

legend

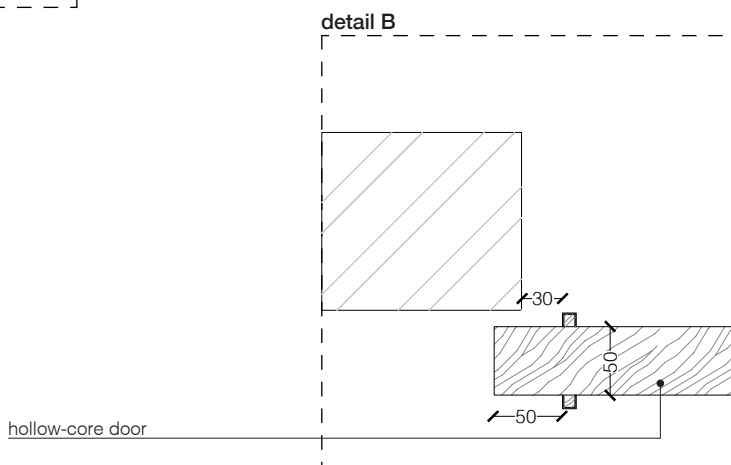
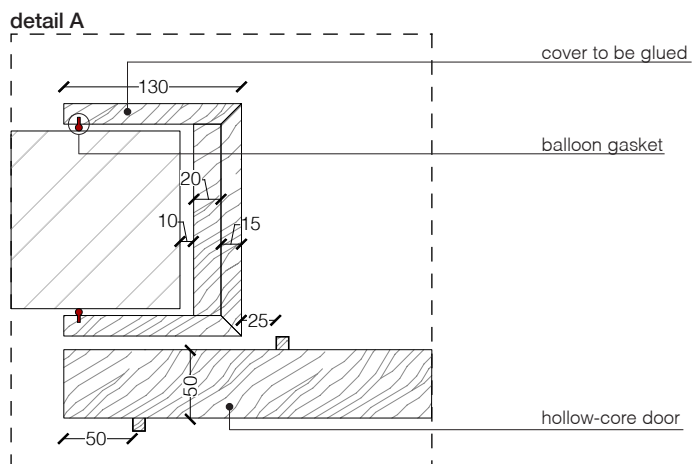
A = opening width	D
C = door	D + 50 mm
D = door way	
A1 = opening width	D1
C1 = door	D1 + 4 mm
D1 = door way	
F1 = dimensions with cover	D1 + 100 mm

Dimensions in millimeters.

The right to discontinue and make changes is reserved.

This information is based on the latest product information available at the time of printing.

_details



Dimensions in millimeters.

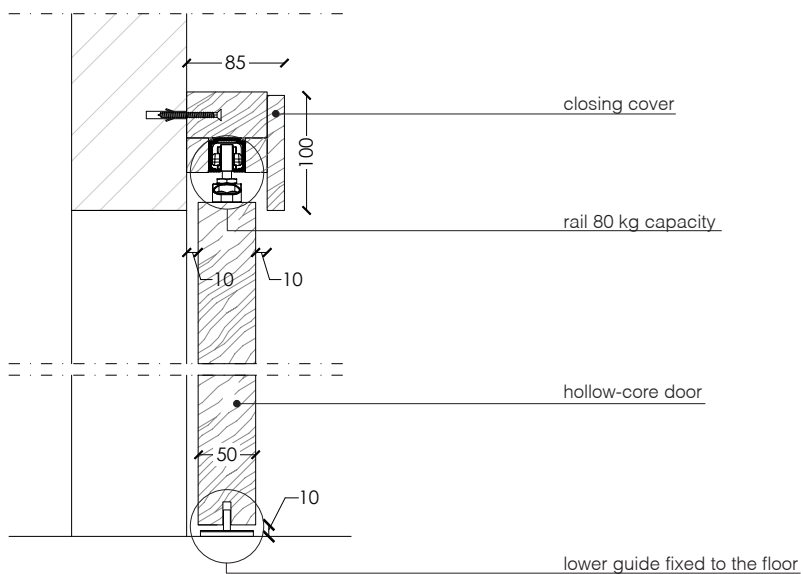
The right to discontinue and make changes is reserved.

This information is based on the latest product information available at the time of printing.

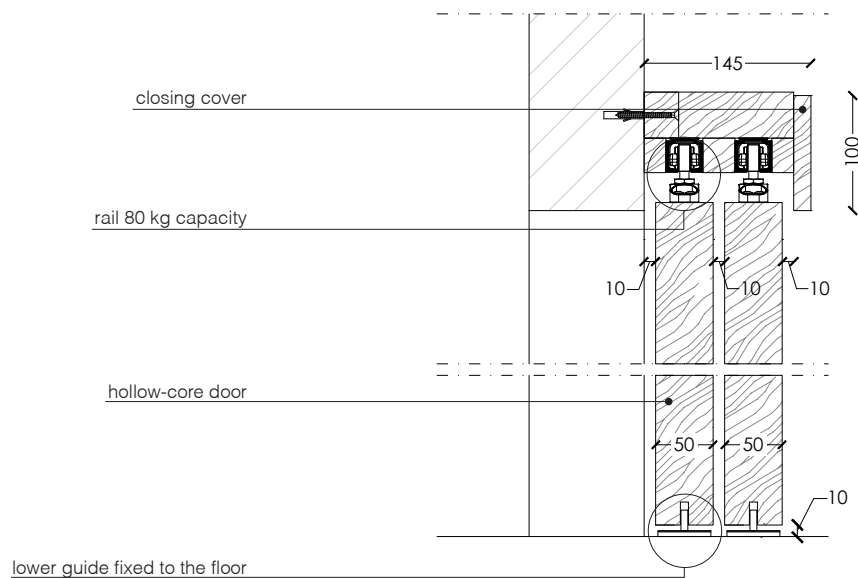
_dimensions

wall installation

door section with one way rail



door section with two-way rail



_Dimensions in millimeters.

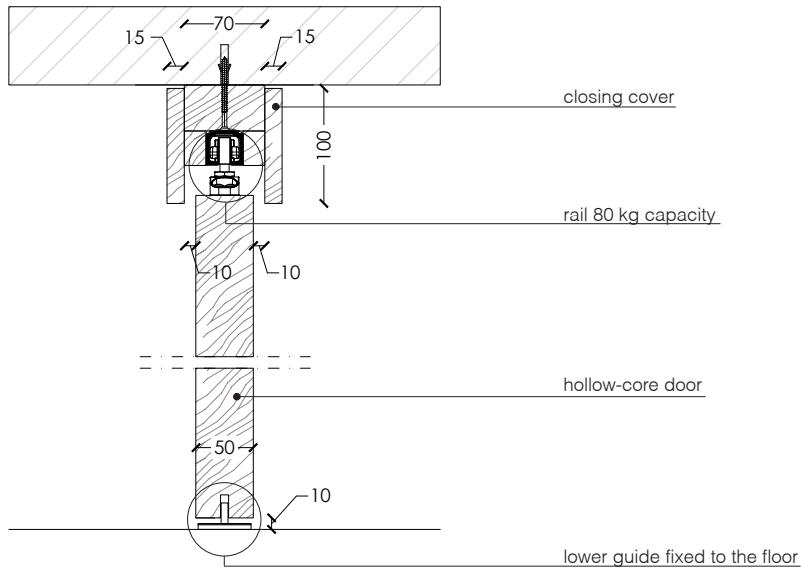
The right to discontinue and make changes is reserved.

This information is based on the latest product information available at the time of printing.

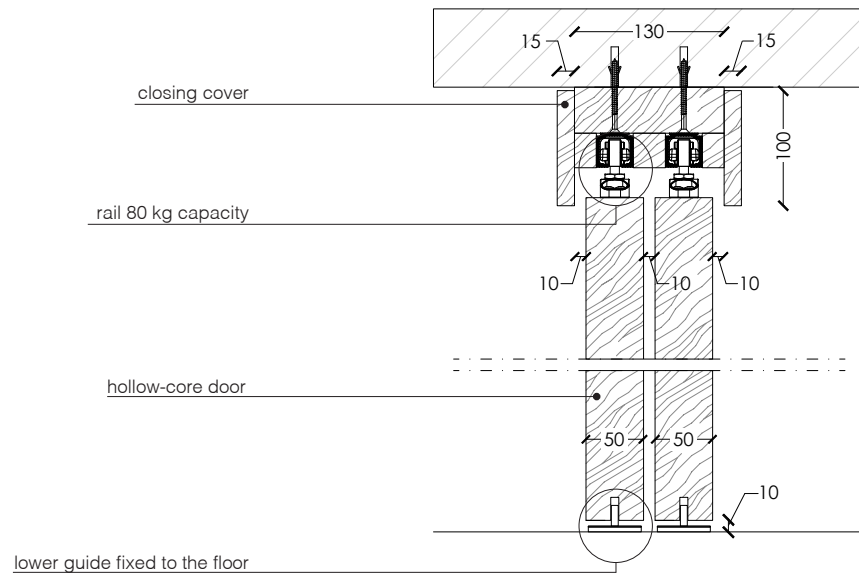
_dimensions

ceiling installation

door section with one way rail



door section with two-way rail



_Dimensions in millimeters.

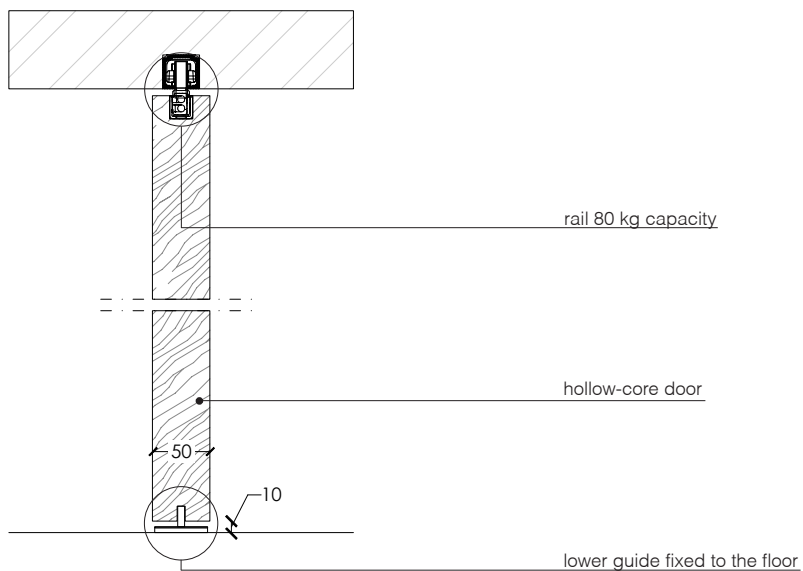
The right to discontinue and make changes is reserved.

This information is based on the latest product information available at the time of printing.

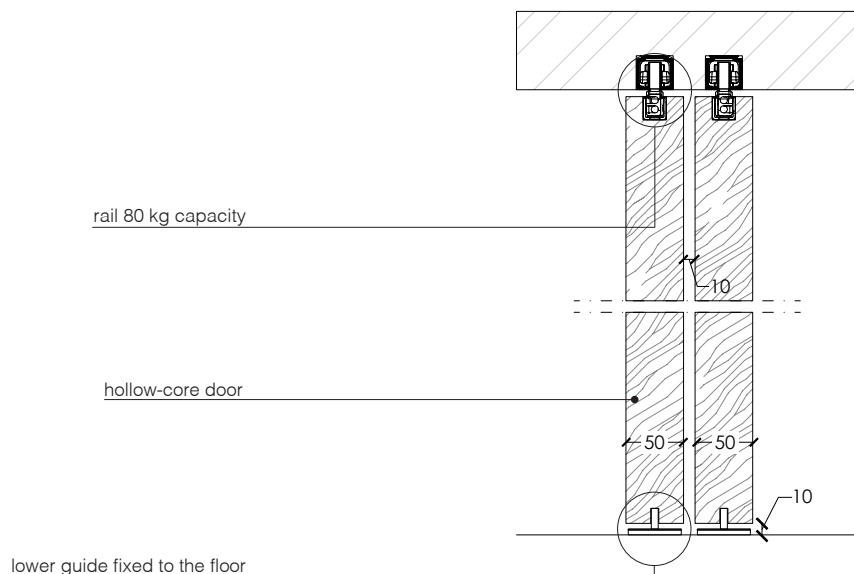
_dimensions

ceiling built-in installation

door section with one way rail



door section with two-way rail



_Dimensions in millimeters.

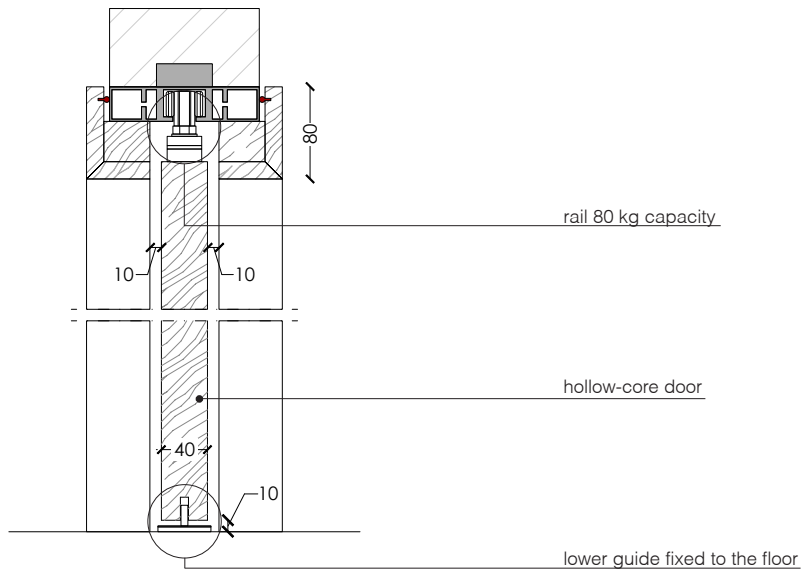
The right to discontinue and make changes is reserved.

This information is based on the latest product information available at the time of printing.

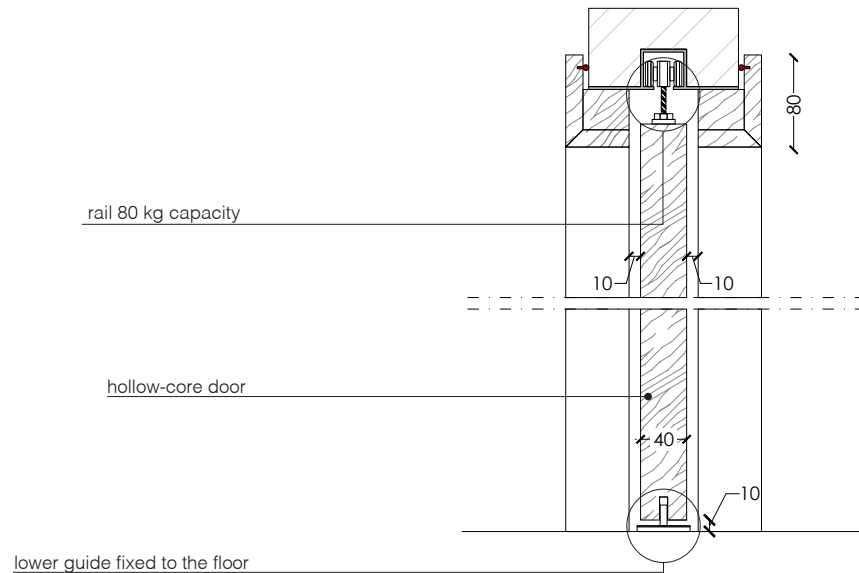
_dimensions

ceiling built-in installation with doorframe

door section for doorframe "Scigno" mod. "Base"



door section for doorframe "Eclisse" mod. "Unico"



_Dimensions in millimeters.

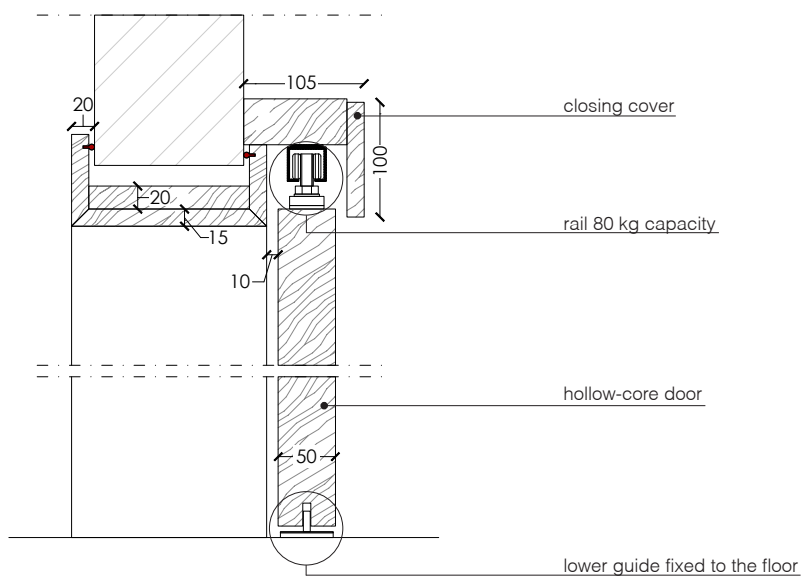
The right to discontinue and make changes is reserved.

This information is based on the latest product information available at the time of printing.

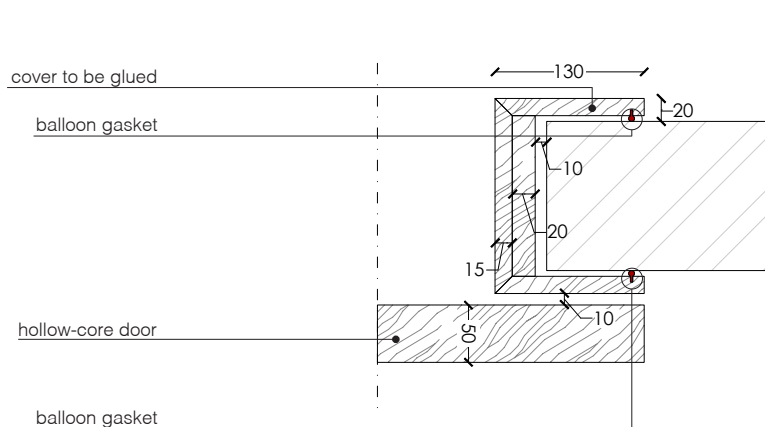
_dimensions

wall installation with doorframe

door section with one way rail



door section with two-way rail



_Dimensions in millimeters.

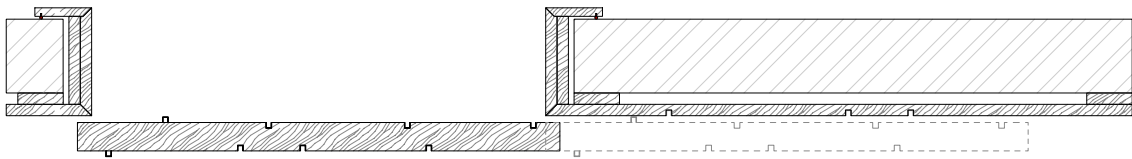
The right to discontinue and make changes is reserved.

This information is based on the latest product information available at the time of printing.

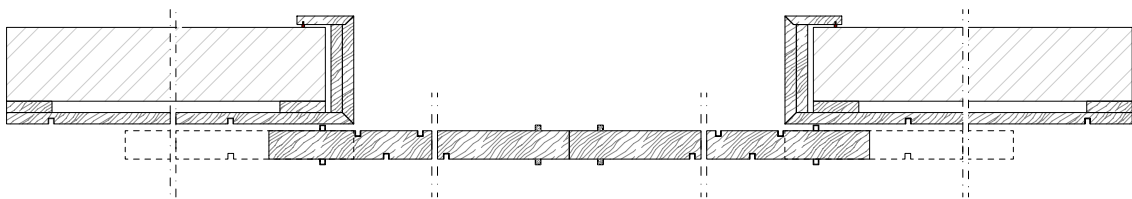
_special case

sliding door with wall panels and doorframe

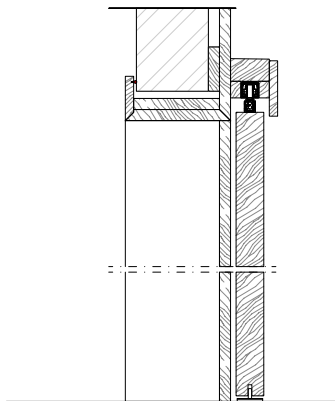
single sliding door



double sliding door



vertical section



_Dimensions in millimeters.

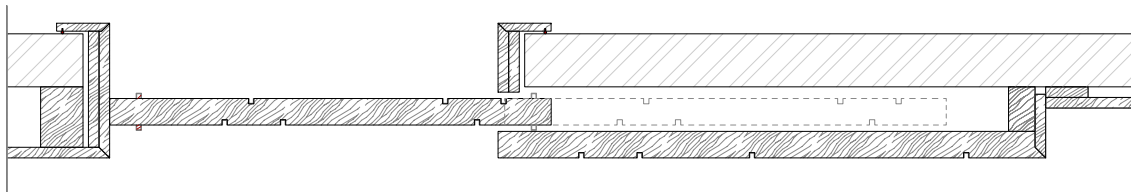
The right to discontinue and make changes is reserved.

This information is based on the latest product information available at the time of printing.

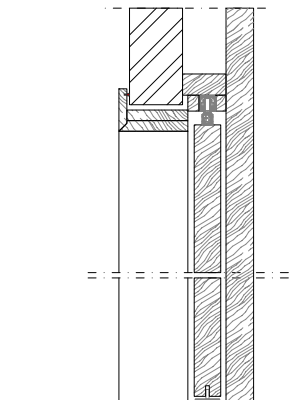
_special case

"pocket" sliding door with wall panels and doorframe

single sliding door



vertical section



_Dimensions in millimeters.

The right to discontinue and make changes is reserved.

This information is based on the latest product information available at the time of printing.

_materials & finishes

plain woods



Maple



Oak



Teak



Zebrano



Canaletto Walnut



Dyed Canaletto Walnut



Ebony



Termocotto Oak



Rosewood



Wengè



Aniline dyed

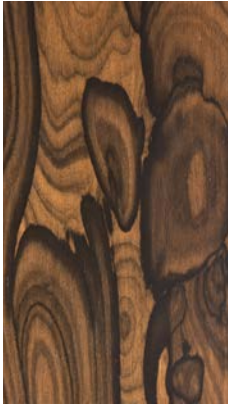


Available in all
RAL / NCS colours

_The finishes shown are indicative and refer to the entire production range.
Laurameroni reserves the right to modify the range without warning.

_materials & finishes

special woods



Ziricote



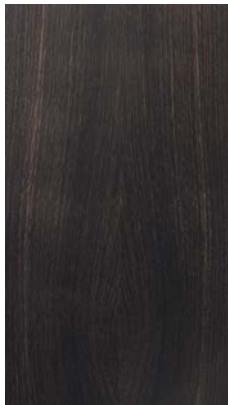
Faggio Antico



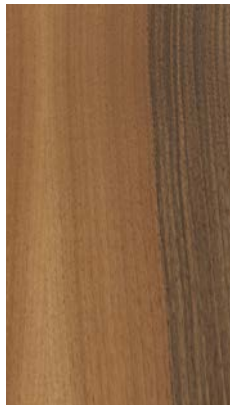
Rosewood India



Stone Oak Carbone



Stone Oak Tabacco



Walnut 'Colore'

_The finishes shown are indicative and refer to the entire production range.
Laurameroni reserves the right to modify the range without warning.

_materials & finishes

dyed woods



Titanium AL1105



Grey AL1106



Sand AL1851



Black AL1853



Aniline Dyed



Available in all
RAL / NCS colours

_The finishes shown are indicative and refer to the entire production range.
Laurameroni reserves the right to modify the range without warning.

_materials & finishes

brushed matt laquered



Brushed matt laquered



Available in all
RAL / NCS colors

_materials & finishes

line profiles



Brown finish profiles



Gold finish profiles

_The finishes shown are indicative and refer to the entire production range.
Laurameroni reserves the right to modify the range without warning.

_maintenance

_WOOD

To maintain the natural wood features and protect them from mechanical and chemical wear, the veneered surfaces are coated with a high-quality transparent varnish. Do not use acid or alkaline detergents, agents with bleaching additives, abrasive powders, steel wool, sponges or the like. Anything hot or humid can cause surface damage. Remove dirt and liquids immediately.

For the cleaning and care, it is best to use a soft, dry cloth. If necessary, the cloth can be slightly dampened and dipped in neutral detergent thoroughly diluted in water. The cloth should only be slightly damp to avoid discoloration or swelling of the surface. Finally, it is essential to gently rub dry surfaces, so that there is no residual moisture.

_LEGNO

Per mantenere il carattere naturale del legno e proteggerlo dall'usura meccanica e chimica, le superfici impiallacciate sono rivestite con una vernice trasparente di alta qualità. Non usare detergenti acidi o alcalini, agenti con additivi sbiancanti, polveri abrasive, lana d'acciaio, spugne o simili. Qualsiasi cosa calda o umida può causare danni alla superficie. Rimuovere immediatamente sporco e liquidi. Per la pulizia e la cura, è preferibile utilizzare un panno morbido e asciutto. Eventualmente il panno può essere leggermente inumidito ed intinto in detergente neutro abbondantemente diluito in acqua. Il panno deve essere solo leggermente umido, per evitare scolorimenti o rigonfiamenti della superficie. È infine essenziale strofinare gentilmente le superfici asciutte, in modo che non sussista umidità residua.

_maintenance

**PAINTS, LACQUERINGS AND
SPECIAL FINISHES**

Do not use acid or alkaline detergents, agents with bleaching additives, abrasive powders, steel wool, sponges or the like. Do not use furniture polish or solvents to care for painted surfaces. Anything hot or humid can cause surface damage. Pointed or sharp objects, such as blades or knives, can cause damage to the surface. For the cleaning and care, regularly wipe the surfaces with a clean, soft, lint-free cloth to remove dust while avoiding abrasion. For soft-finish painted surfaces, use a soft, lint-free, slightly damp cloth. If heavily soiled, painted surfaces can be cleaned with a neutral, silicone-free detergent. Finally, it is essential to gently rub dry surfaces, so that there is no residual moisture.

**TINTE, LACCATURE E FINITURE
SPECIALI**

Non usare detergenti acidi o alcalini, agenti con additivi sbiancanti, polveri abrasive, lana d'acciaio, spugne o simili. Non utilizzare lucidi per mobili o solventi per la cura delle superfici verniciate. Qualsiasi cosa calda o umida può causare danni alla superficie. Oggetti appuntiti o taglienti, come lame o coltelli, possono causare danni alla superficie. Per la pulizia e la cura, pulire regolarmente le superfici con un panno pulito, morbido e privo di lanugine per rimuovere la polvere evitando l'abrasione. Per le superfici verniciate con finitura morbida, utilizzare un panno soffice, privo di lanugine e leggermente umido. Se molto sporche, le superfici verniciate possono essere pulite con un detergente neutro privo di silicone. È infine essenziale strofinare gentilmente le superfici asciutte, in modo che non sussista umidità residua.

**BEDIF
FEREN
TBEUN
IQUE.**

LAURAMERONI s.r.l.
22040 Alzate Brianza (Como)
Via Manzoni, 2784
T +39 031 761450
info@laurameroni.com
www.laurameroni.com