

## Frame sliding door - Frame collection

design by LAURAMERONI



— Sliding door with decorative structure Frame.

Available with panels from the iconic Decor, Maxima, Plain and Onda collections, as well as from the Space, Rift, Unlimited and Juta collections.

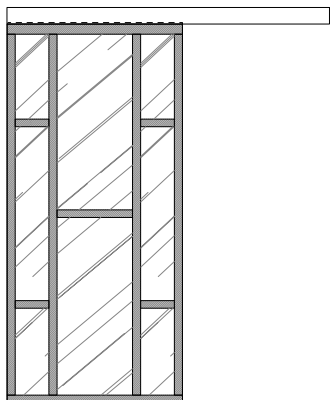
Customizable in various materials, finishes and essences from the Laurameroni collection.



— Porta scorrevole con cornice decorativa Frame.

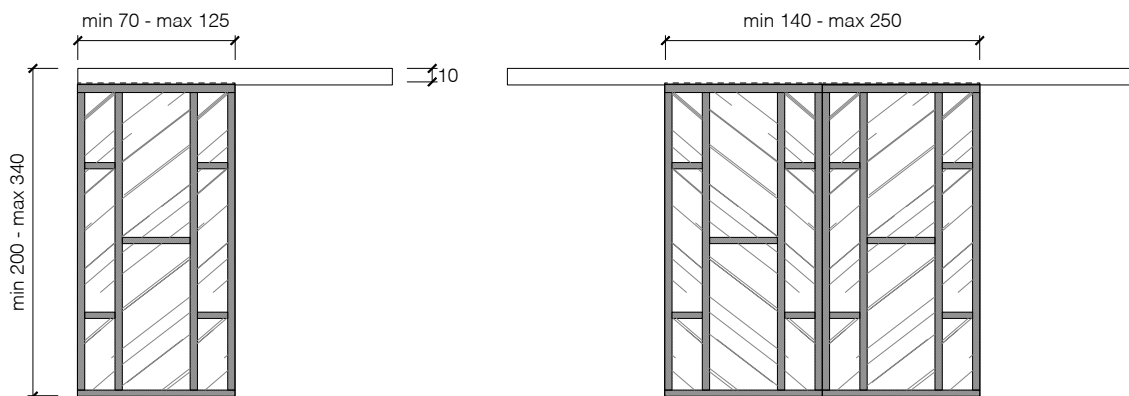
Disponibile con pannelli delle collezioni iconiche Decor, Maxima, Plain ed Onda, e delle collezioni Space, Rift, Unlimited e Juta. Personalizzabile in svariati materiali, finiture ed essenze della collezione Laurameroni.

\_range



sliding door with glass panel  
porta scorrevole con pannello in vetro  
porte coulissante avec panneau en verre - Schiebetür mit Glasscheibe  
распашная дверь со стеклянной панелью

\_dimensional limits



single sliding door

symmetrical double sliding door

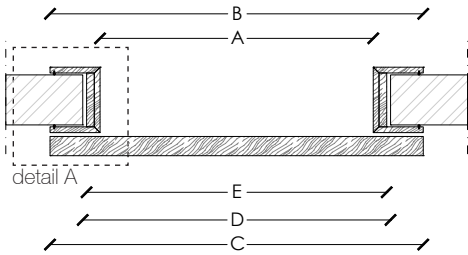
**Dimensions in centimeters.**

**The right to discontinue and make changes is reserved.**

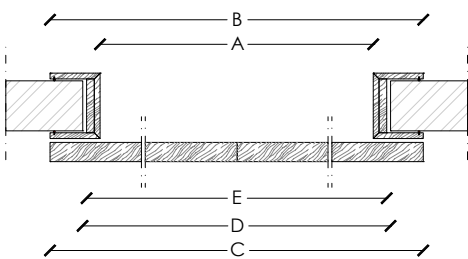
**This information is based on the latest product information available at the time of printing.**

## \_dimensions

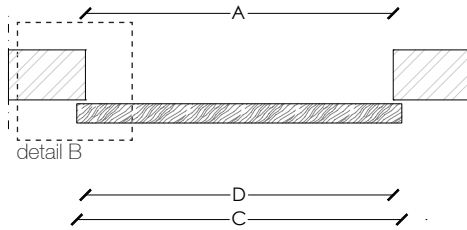
single sliding door with doorframe  
door aligned with the covers



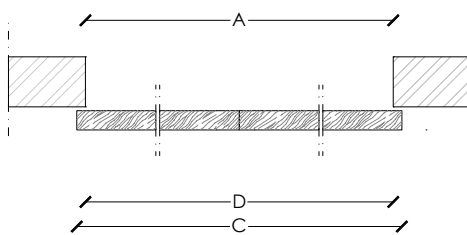
double sliding door with doorframe  
door aligned with the covers



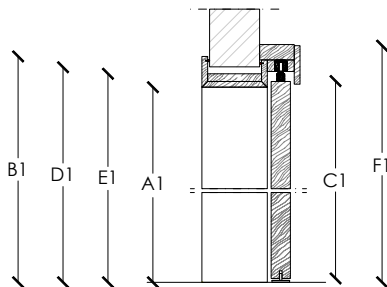
single sliding door without doorframe



double sliding door without doorframe



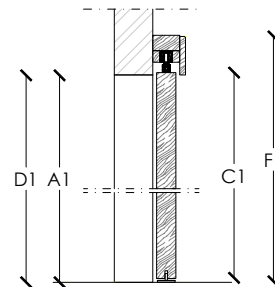
vertical section



legend

A = opening width	D - 90 mm
B = covering dimensions	D + 260 mm
C = door	D + 260 mm
D = door way	
E = doorframe dimensions	D - 20 mm
A1 = opening width	D1 - 53 mm
B1 = covering dimensions	D1 + 27 mm
C1 = door	D1 - 48 mm
D1 = door way	
E1 = doorframe dimensions	D1 - 18 mm
F1 = dimensions with cover	D1 + 55 mm

vertical section



legend

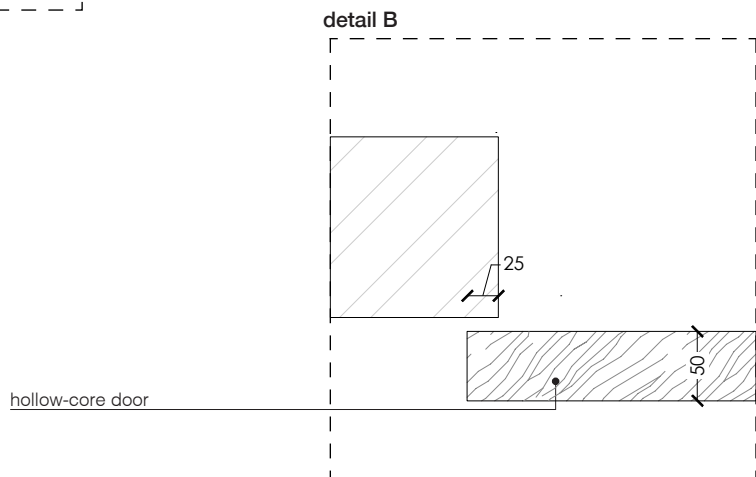
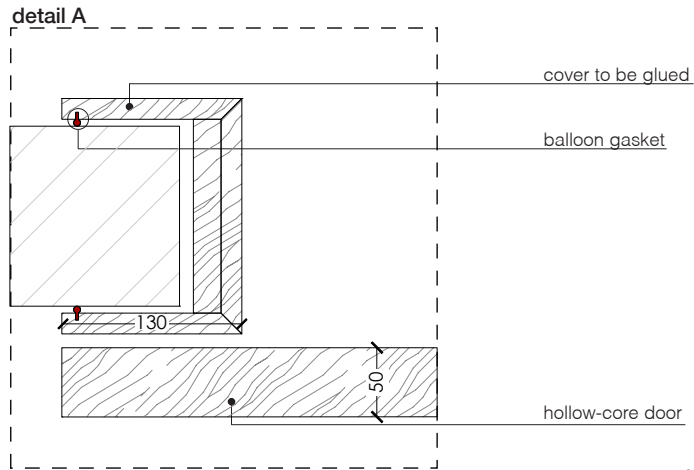
A = opening width	D
C = door	D + 50 mm
D = door way	
A1 = opening width	D1
C1 = door	D1 - 4 mm
D1 = door way	
F1 = dimensions with cover	D1 + 100 mm

Dimensions in millimeters.

The right to discontinue and make changes is reserved.

This information is based on the latest product information available at the time of printing.

\_details



Dimensions in millimeters.

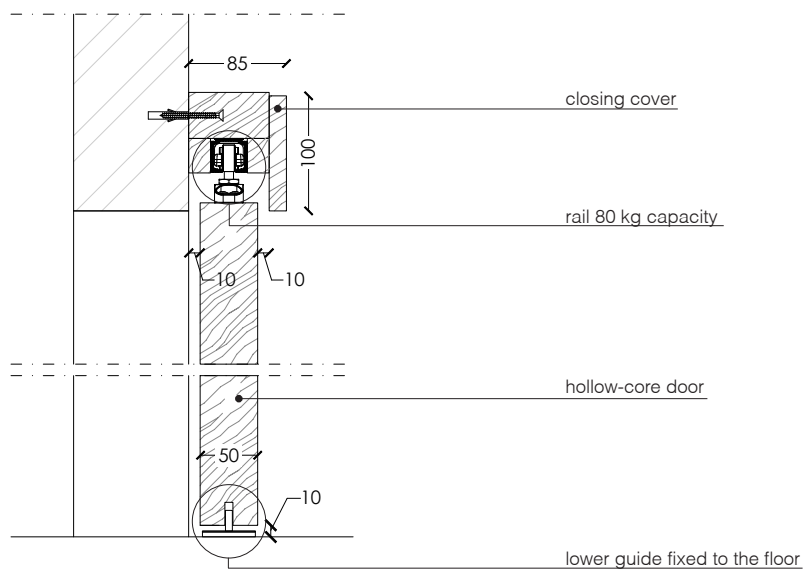
The right to discontinue and make changes is reserved.

This information is based on the latest product information available at the time of printing.

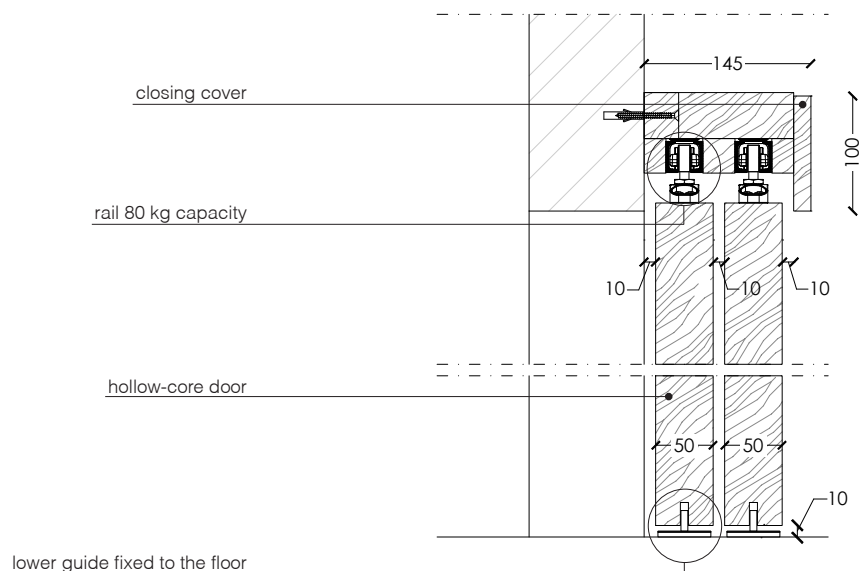
\_dimensions

wall installation

door section with one way rail



door section with two-way rail



Dimensions in millimeters.

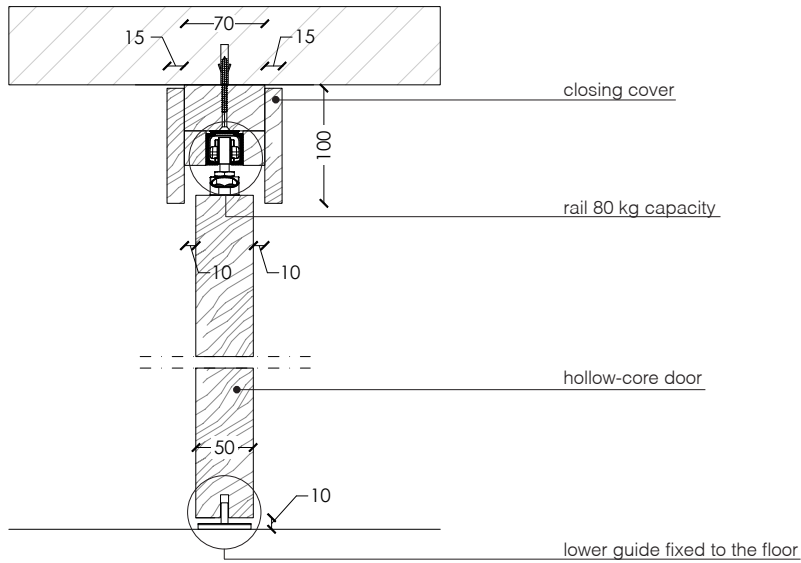
The right to discontinue and make changes is reserved.

This information is based on the latest product information available at the time of printing.

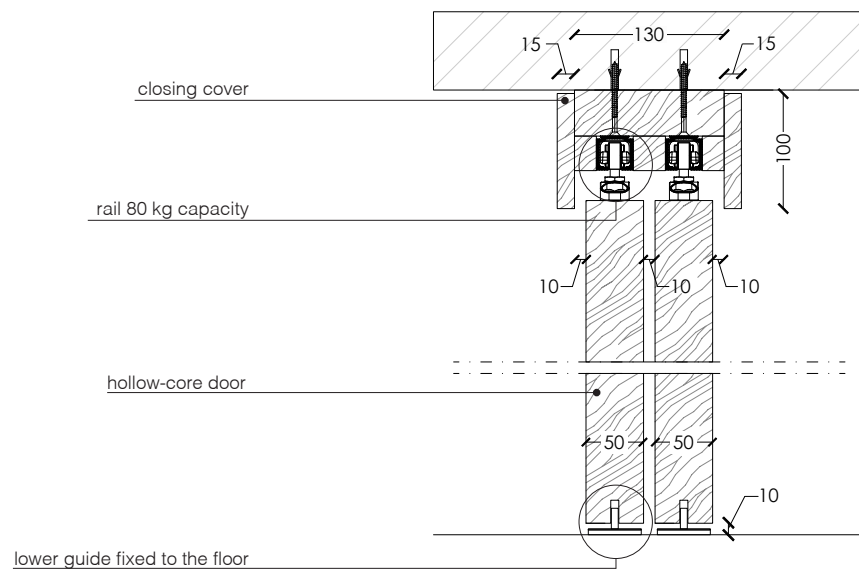
\_dimensions

ceiling installation

door section with one way rail



door section with two-way rail



\_Dimensions in millimeters.

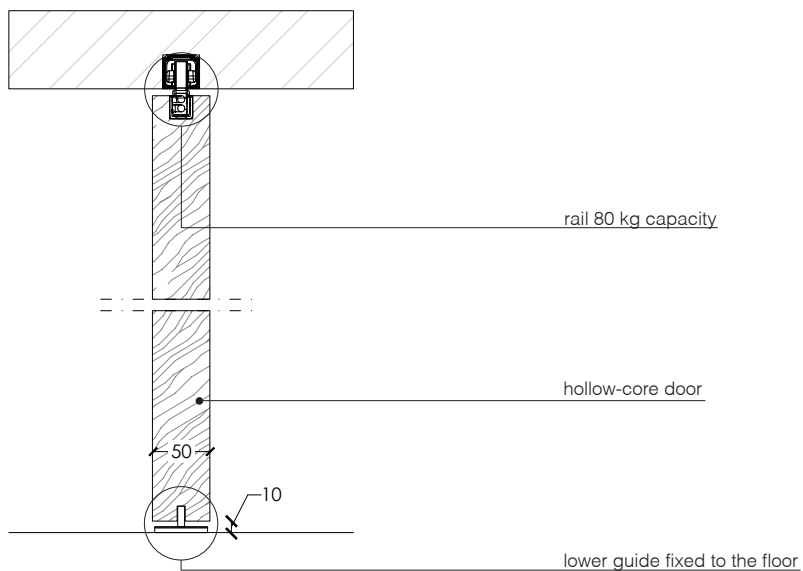
The right to discontinue and make changes is reserved.

This information is based on the latest product information available at the time of printing.

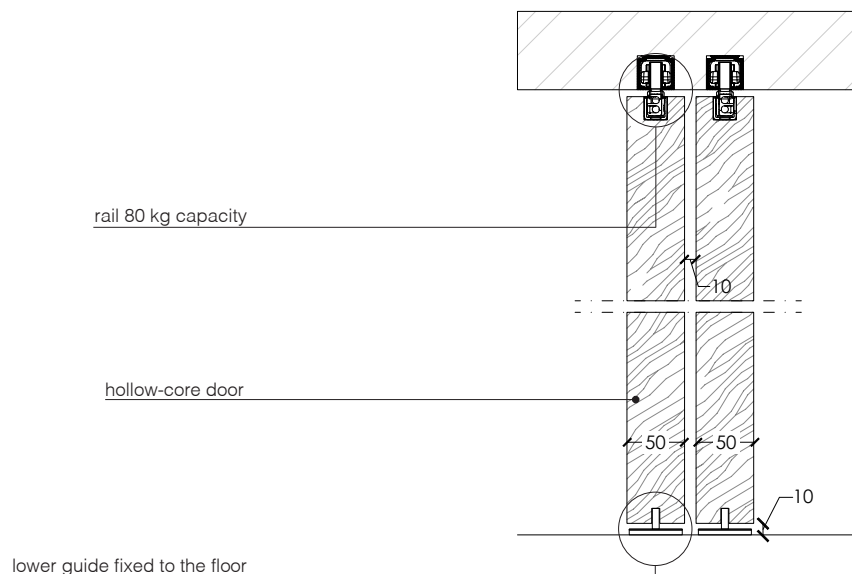
\_dimensions

ceiling built-in installation

**door section with one way rail**



**door section with two-way rail**



\_Dimensions in millimeters.

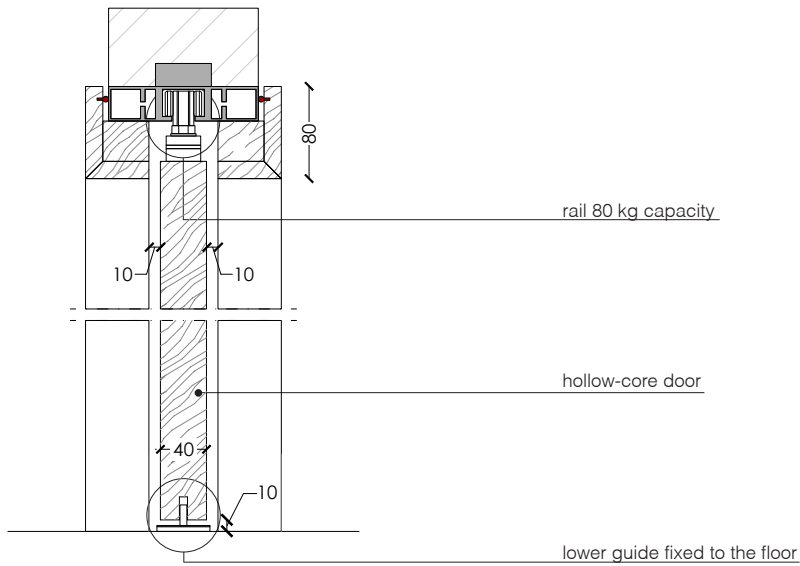
The right to discontinue and make changes is reserved.

This information is based on the latest product information available at the time of printing.

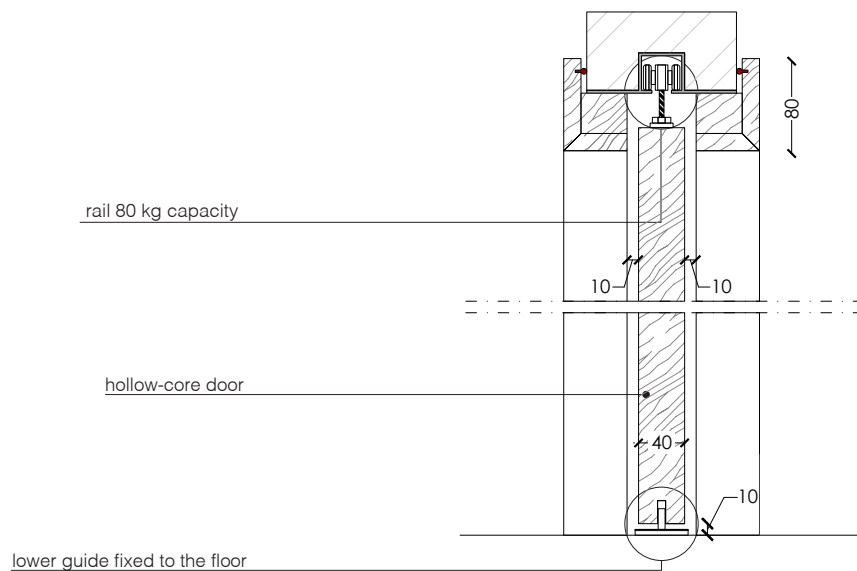
dimensions

ceiling built-in installation with doorframe

door section for doorframe "Scigno" mod. "Base"



door section for doorframe "Eclisse" mod. "Unico"



Dimensions in millimeters.

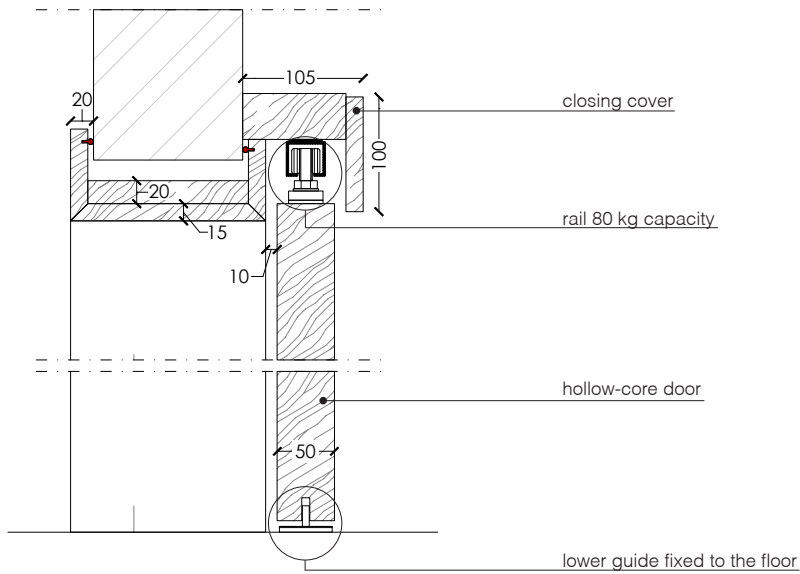
The right to discontinue and make changes is reserved.

This information is based on the latest product information available at the time of printing.

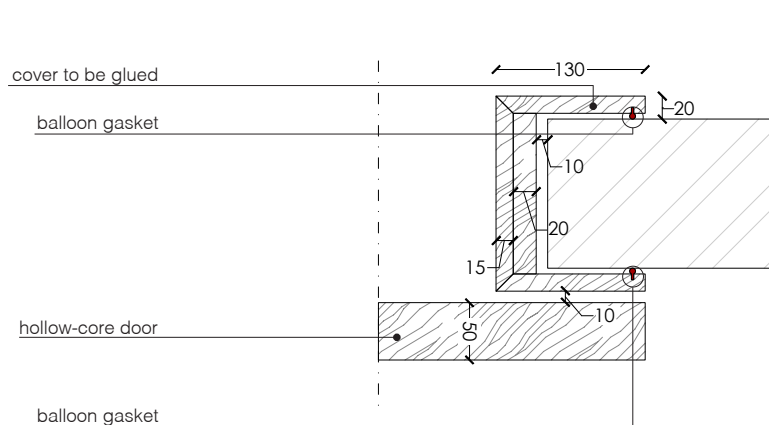
\_dimensions

wall installation with doorframe

**door section with one way rail**



**door section with two-way rail**



\_Dimensions in millimeters.

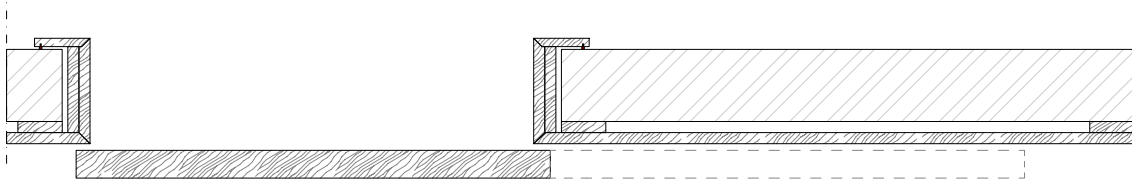
The right to discontinue and make changes is reserved.

This information is based on the latest product information available at the time of printing.

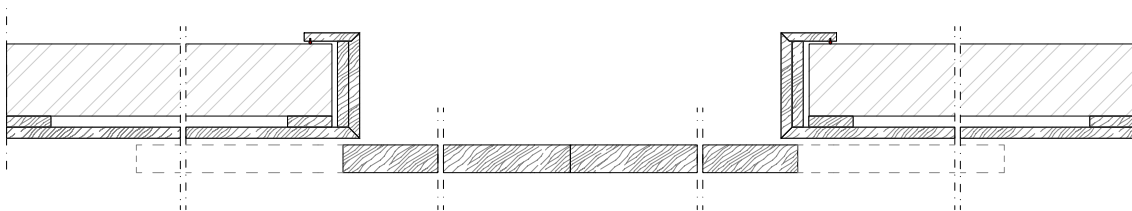
\_special case

sliding door with wall panels and doorframe

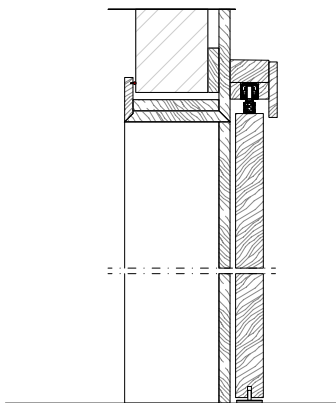
single sliding door



double sliding door



vertical section



\_Dimensions in millimeters.

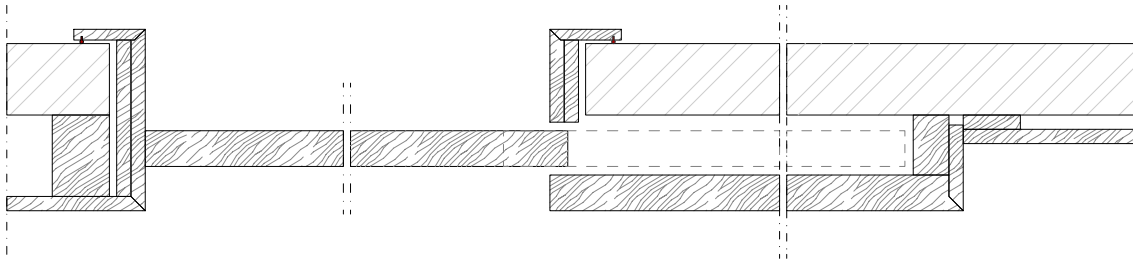
The right to discontinue and make changes is reserved.

This information is based on the latest product information available at the time of printing.

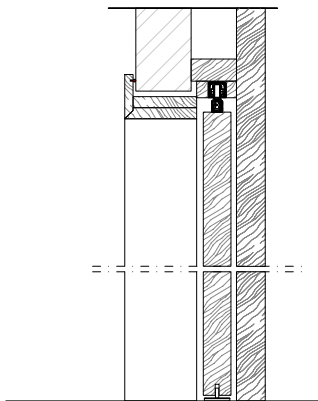
\_special case

"pocket" sliding door with wall panels and doorframe

single sliding door



vertical section



\_Dimensions in millimeters.

The right to discontinue and make changes is reserved.

This information is based on the latest product information available at the time of printing.

\_materials & finishes for profiles and panels  
plain woods



Maple



Oak



Teak



Zebrano



Walnut Canaletto



Dyed Walnut Canaletto



Mahogany



Ebony



Termocotto Oak



Rosewood



Wenge

\_The finishes shown are indicative and refer to the entire production range.  
Laurameroni reserves the right to modify the range without warning.

\_materials & finishes for profiles and panels  
dyed woods



Titanium AL1105



Grey AL1106



Sand AL1851



Black AL1853



Aniline dyed



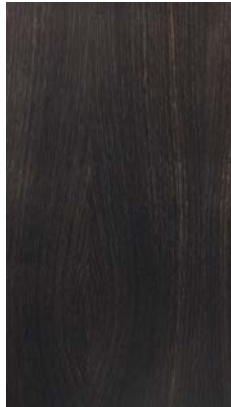
Available in all  
RAL / NCS colours

\_The finishes shown are indicative and refer to the entire production range.  
Laurameroni reserves the right to modify the range without warning.

\_materials & finishes for profiles and panels  
special woods



Stone Oak 'Carbone'



Stone Oak 'Tabacco'



'Faggio Antico'



Syberian Ash



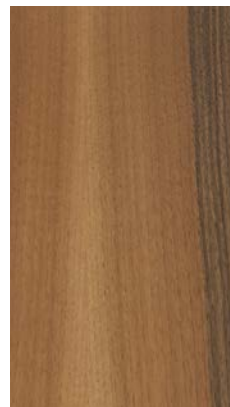
Rosewood 'India'



Rosewood 'Santos'



Ziricote

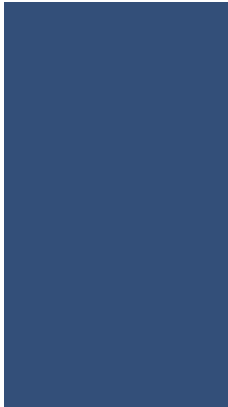


Walnut 'Colore'

\_The finishes shown are indicative and refer to the entire production range.  
Laurameroni reserves the right to modify the range without warning.

\_materials & finishes for profiles and panels

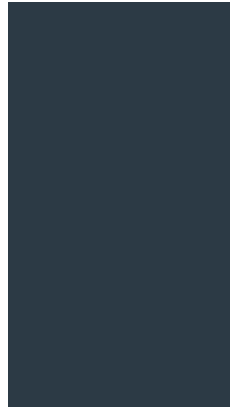
lacquered



Brushed Matt Lacquered



Glossy Lacquered



Matt lacquered



Glossy Shaded  
Lacquered



Available in all  
RAL / NCS colours

\_The finishes shown are indicative and refer to the entire production range.  
Laurameroni reserves the right to modify the range without warning.

\_materials & finishes for panels

decor carved woods



Maple Decor



Oak Decor



Teak Decor



Canaletto Walnut Decor



Rosewood Decor



Wengè Decor



Mahogany Decor



Aniline Decor



Available in all RAL  
colours

\_The finishes shown are indicative and refer to the entire production range.  
Laurameroni reserves the right to modify the range without warning.

\_materials & finishes for panels

maxima carved woods



Maple Maxima



Oak Maxima



Teak Maxima



Canaletto Walnut Maxima



Rosewood Maxima



Wenge Maxima



Mahogany Maxima



Aniline Dyed Maxima



Available in all RAL  
colours

\_The finishes shown are indicative and refer to the entire production range.  
Laurameroni reserves the right to modify the range without warning.

\_materials & finishes for panels

onda carved woods



Maple Onda



Oak Onda



Teak Onda



Canaletto Walnut Onda



Rosewood Onda



Wengè Decor



Mahogany Onda



Anilina onda



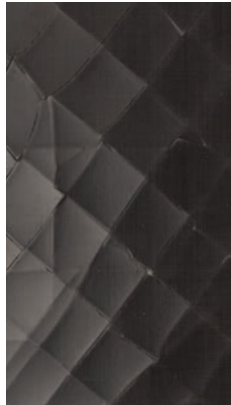
Available in all RAL  
colours

\_The finishes shown are indicative and refer to the entire production range.  
Laurameroni reserves the right to modify the range without warning.

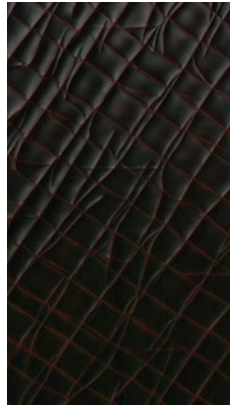
\_materials & finishes for panels  
rift



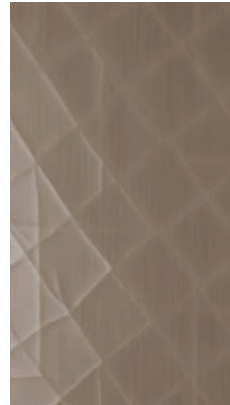
Brown



Grey



Red



Mist

\_materials & finishes for panels  
space



Liquid Metal Tin

\_The finishes shown are indicative and refer to the entire production range.  
Laurameroni reserves the right to modify the range without warning.

\_materials & finishes for panels

unlimited liquid metal



Unlimited Bronze



Unlimited Tin

\_materials & finishes for panels

juta



Liquid Metal Copper



Liquid Metal Tin

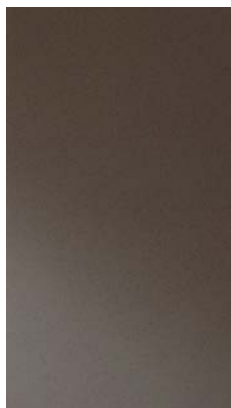
\_The finishes shown are indicative and refer to the entire production range.  
Laurameroni reserves the right to modify the range without warning.

\_materials & finishes for panels

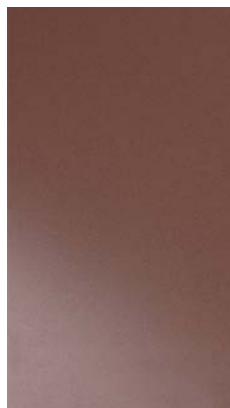
glasses



Back-lacquered glass  
"Gold"



Back-lacquered glass  
Bronze



Back-lacquered glass  
Copper



Back-lacquered glass  
Silver

\_materials & finishes for panels

trasparent glasses



Smoked Mirror



Bronze Mirror

\_The finishes shown are indicative and refer to the entire production range.  
Laurameroni reserves the right to modify the range without warning.

\_maintenance

#### **\_WOOD**

**To maintain the natural wood features and protect them from mechanical and chemical wear, the veneered surfaces are coated with a high-quality transparent varnish. Do not use acid or alkaline detergents, agents with bleaching additives, abrasive powders, steel wool, sponges or the like. Anything hot or humid can cause surface damage. Remove dirt and liquids immediately.**

**For the cleaning and care, it is best to use a soft, dry cloth. If necessary, the cloth can be slightly dampened and dipped in neutral detergent thoroughly diluted in water. The cloth should only be slightly damp to avoid discoloration or swelling of the surface. Finally, it is essential to gently rub dry surfaces, so that there is no residual moisture.**

#### **\_LEGNO**

Per mantenere il carattere naturale del legno e proteggerlo dall'usura meccanica e chimica, le superfici impiallacciate sono rivestite con una vernice trasparente di alta qualità. Non usare detergenti acidi o alcalini, agenti con additivi sbiancanti, polveri abrasive, lana d'acciaio, spugne o simili. Qualsiasi cosa calda o umida può causare danni alla superficie. Rimuovere immediatamente sporco e liquidi. Per la pulizia e la cura, è preferibile utilizzare un panno morbido e asciutto. Eventualmente il panno può essere leggermente inumidito ed intinto in detergente neutro abbondantemente diluito in acqua. Il panno deve essere solo leggermente umido, per evitare scolorimenti o rigonfiamenti della superficie. È infine essenziale strofinare gentilmente le superfici asciutte, in modo che non sussista umidità residua.

\_maintenance

#### **METAL & LIQUID METAL**

To maintain the natural features of the metal and to protect the specific craftsmanship from oxidation and discoloration, the metal surfaces are coated with a high-quality transparent varnish. Do not use acid cleaners, solvents or alkalis. Do not use abrasive agents, steel wool, pot cleaners, glass cleaners, aggressive solvents, dyes, bleach or the like. Pointed or sharp objects, such as blades or knives, can cause damage to the surface. Anything hot or humid can cause surface damage.

For cleaning and care, remove light dirt with a soft cloth and a neutral household cleaning product well diluted in water. Gently clean the metal parts by hand with cold or warm water and dry immediately with a soft cloth.

#### **METALLO & METALLO LIQUIDO**

Per mantenere il carattere naturale del metallo e tutelare la specifica lavorazione artigianale da ossidazione e scolorimento, le superfici metalliche sono rivestite con una vernice trasparente di alta qualità.

Non utilizzare detergenti acidi, solventi o alcali. Non usare agenti abrasivi, lana d'acciaio, detergenti per pentole, detergenti per vetri, solventi aggressivi, coloranti, candeggina o simili. Oggetti appuntiti o taglienti, come lame o coltelli, possono causare danni alla superficie. Qualsiasi cosa calda o umida può causare danni alla superficie.

Per la pulizia e la cura, rimuovere lo sporco leggero con un panno morbido ed un prodotto neutro per la pulizia della casa abbondantemente diluito in acqua.

Pulire delicatamente a mano le parti metalliche con acqua fredda o tiepida ed asciugare immediatamente con un panno morbido.

\_maintenance

**PAINTS, LACQUERINGS AND  
SPECIAL FINISHES**

Do not use acid or alkaline detergents, agents with bleaching additives, abrasive powders, steel wool, sponges or the like. Do not use furniture polish or solvents to care for painted surfaces. Anything hot or humid can cause surface damage. Pointed or sharp objects, such as blades or knives, can cause damage to the surface. For the cleaning and care, regularly wipe the surfaces with a clean, soft, lint-free cloth to remove dust while avoiding abrasion. For soft-finish painted surfaces, use a soft, lint-free, slightly damp cloth. If heavily soiled, painted surfaces can be cleaned with a neutral, silicone-free detergent. Finally, it is essential to gently rub dry surfaces, so that there is no residual moisture.

**TINTE, LACCATURE E FINITURE  
SPECIALI**

Non usare detersivi acidi o alcalini, agenti con additivi sbiancanti, polveri abrasive, lana d'acciaio, spugne o simili. Non utilizzare lucidi per mobili o solventi per la cura delle superfici verniciate. Qualsiasi cosa calda o umida può causare danni alla superficie. Oggetti appuntiti o taglienti, come lame o coltelli, possono causare danni alla superficie. Per la pulizia e la cura, pulire regolarmente le superfici con un panno pulito, morbido e privo di lanugine per rimuovere la polvere evitando l'abrasione. Per le superfici verniciate con finitura morbida, utilizzare un panno soffice, privo di lanugine e leggermente umido. Se molto sporche, le superfici verniciate possono essere pulite con un detersivo neutro privo di silicone. È infine essenziale strofinare gentilmente le superfici asciutte, in modo che non sussista umidità residua.

**BEDIF  
FEREN  
TBEUN  
IQUE.**

LAURAMERONI s.r.l.  
22040 Alzate Brianza (Como)  
Via Manzoni, 2784  
T +39 031 761450  
info@laurameroni.com  
www.laurameroni.com