

## Decor pivot door - Decor collection

design Bartoli Design



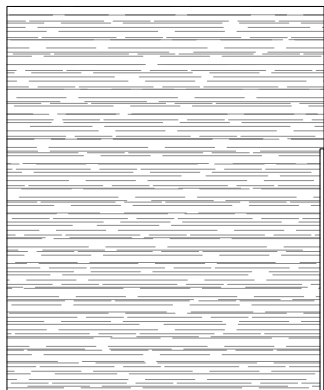
**—Pivot door with Decor carving on both sides, available in all woods of the collection or aniline-dyed oak in all RAL colours. The pivot door is a functional solution that creates a dynamic effect thanks to the use of invisible pivots.**

**—Porta Pivot con scolpitura Decor su entrambi i lati, disponibile in tutte le essenze di legno della collezione o in rovere tinto anilina in tutti i colori RAL.**

La porta Pivot è una soluzione funzionale che crea un effetto estremamente dinamico grazie all'uso di perni invisibili.

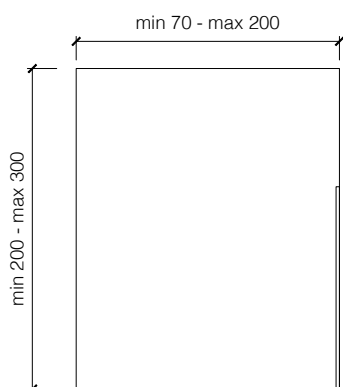
\_range

Decor horizontal carved



**BD 16 PD** pivot door - porta pivot - porte pivotante  
Pivot Tür - Дверь pivot

\_dimensional limits



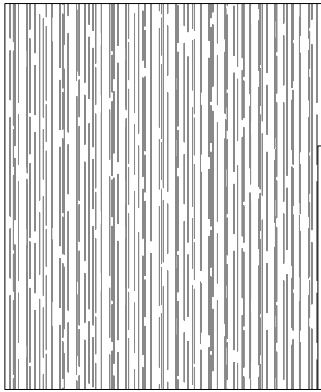
**Dimensions in centimeters.**

The right to discontinue and make changes is reserved.

This information is based on the latest product information available at the time of printing.

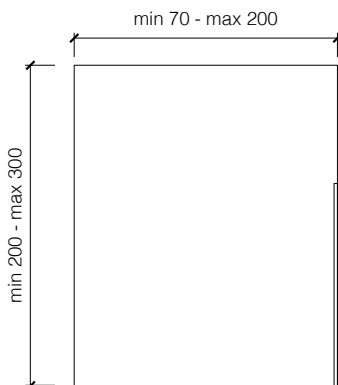
\_range

Decor vertical carved



**BD 16 PD** pivot door - porta pivot - porte pivotante  
Pivot Tür - Дверь pivot

\_dimensional limits

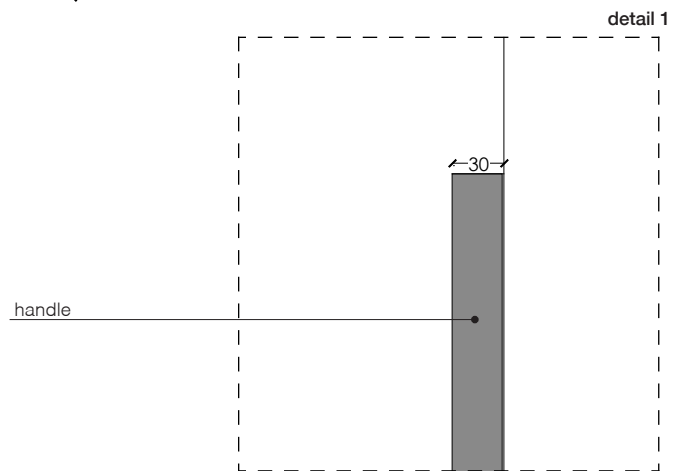
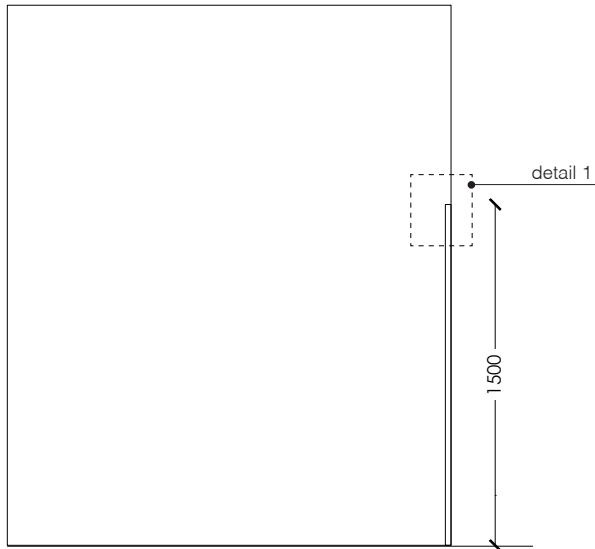


**Dimensions in millimeters.**

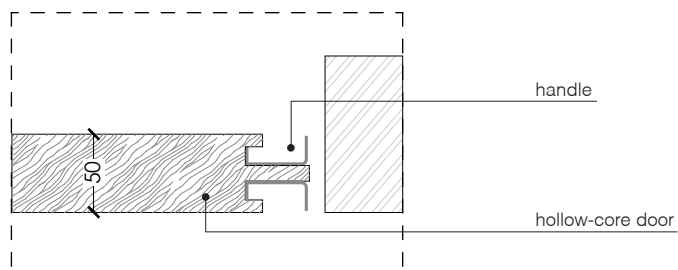
The right to discontinue and make changes is reserved.

This information is based on the latest product information available at the time of printing.

\_details



door section



Dimensions in millimeters.

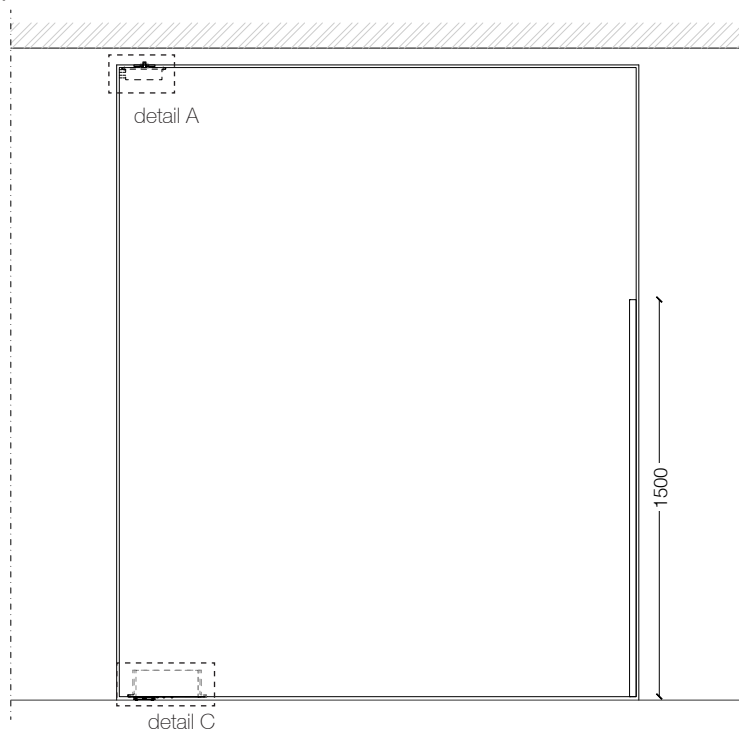
The right to discontinue and make changes is reserved.

This information is based on the latest product information available at the time of printing.

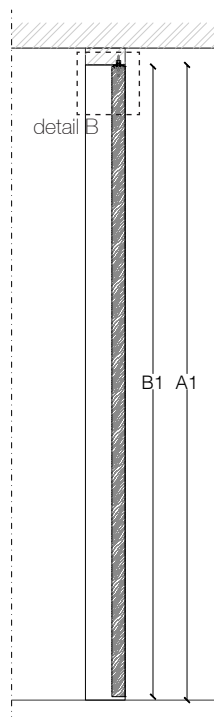
\_dimensions

door without doorframe

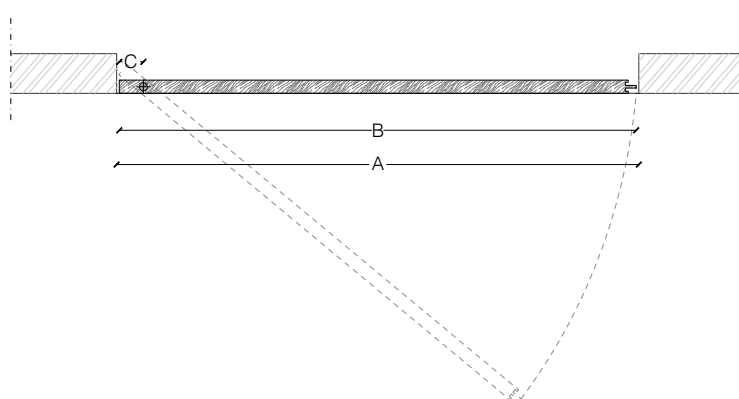
pivot door



vertical section



horizontal section



legend

A = door way

B = door

C = min. distance between  
centres

A - 20 mm  
> 91 mm

A1 = door way

B1 = door

A1 - 23 mm

\_Dimensions in millimeters.

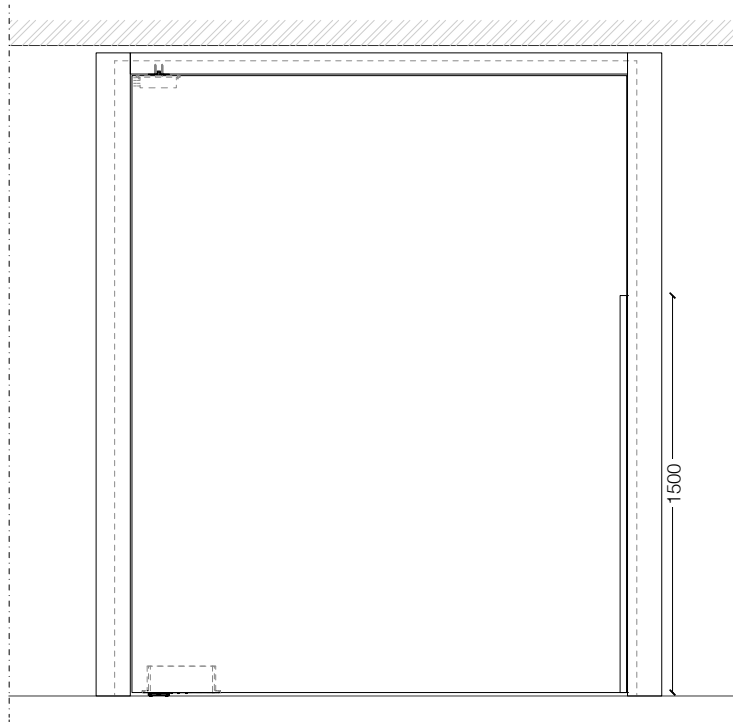
The right to discontinue and make changes is reserved.

This information is based on the latest product information available at the time of printing.

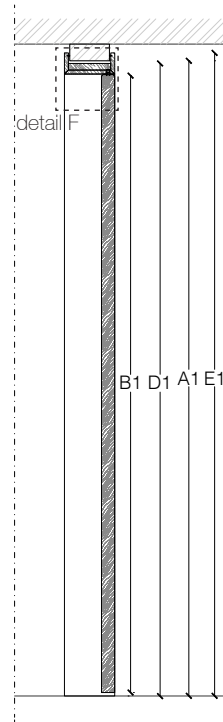
\_dimensions

door with doorframe

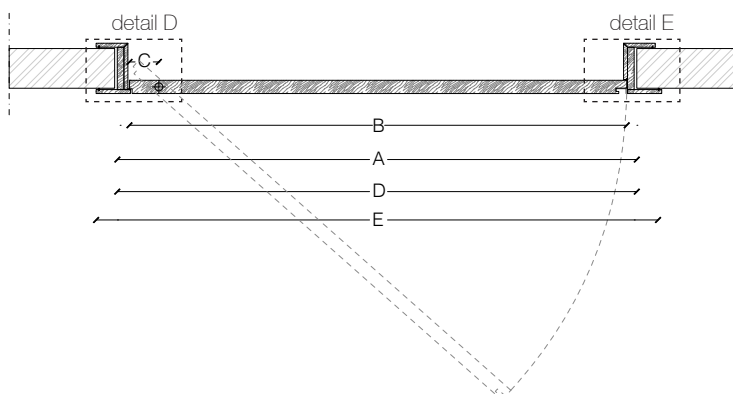
pivot door



vertical section



horizontal section



legend

A = door way	A - 84 mm	A1 = door way	A - 70 mm
B = door	A - 84 mm	B1 = door	A - 70 mm
C = min. distance between centres	> 91mm		
D = doorframe dimensions	A - 20 mm	D1 = doorframe dimensions	A - 18 mm
E = covering dimensions	A + 150 mm	E1 = covering dimensions	A + 27 mm

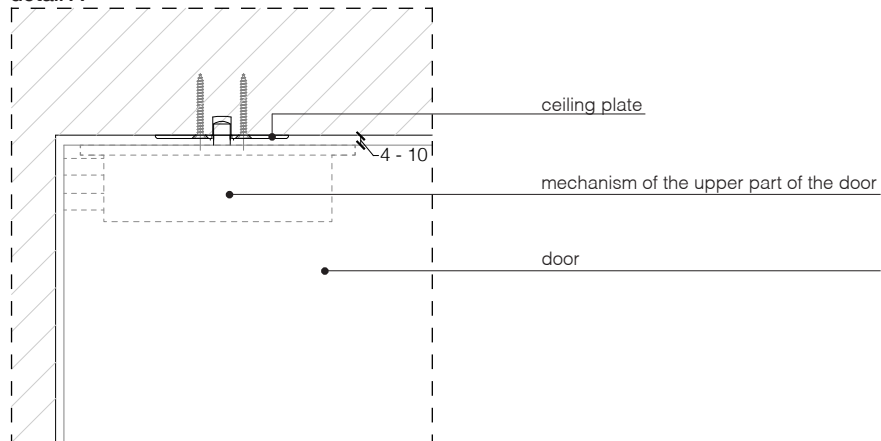
Dimensions in millimeters.

The right to discontinue and make changes is reserved.

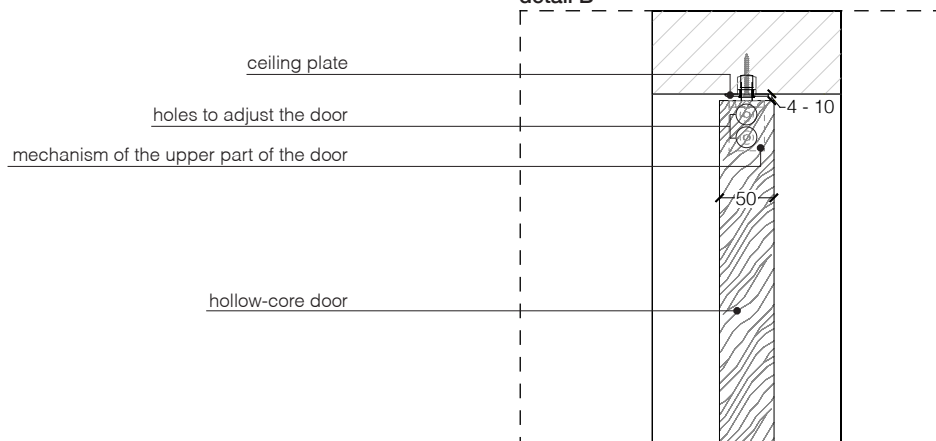
This information is based on the latest product information available at the time of printing.

\_details

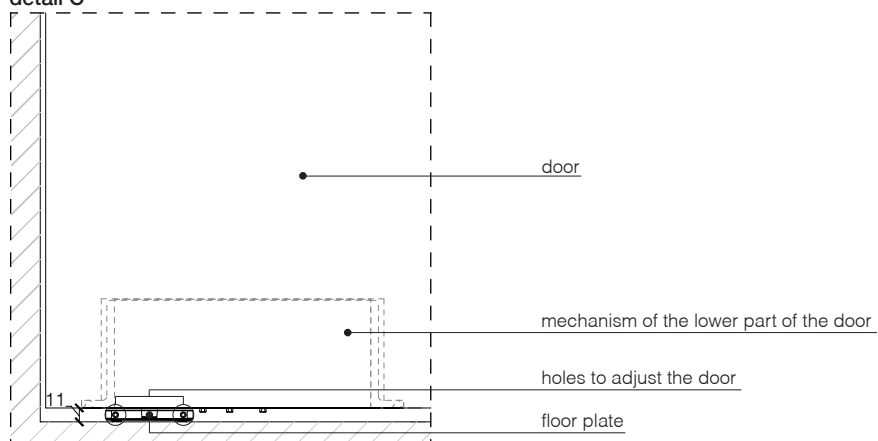
detail A



detail B



detail C



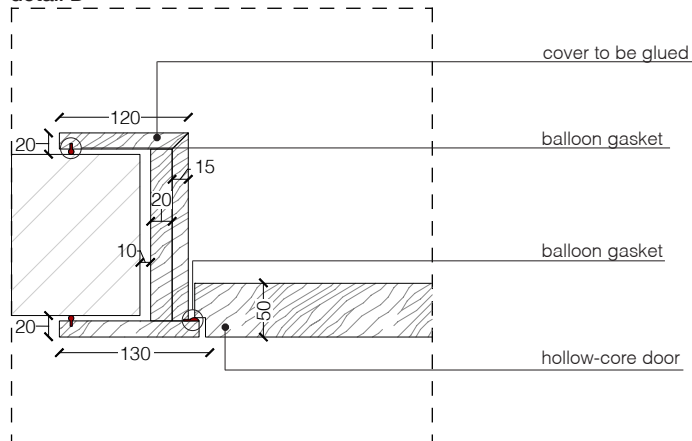
\_Dimensions in millimeters.

The right to discontinue and make changes is reserved.

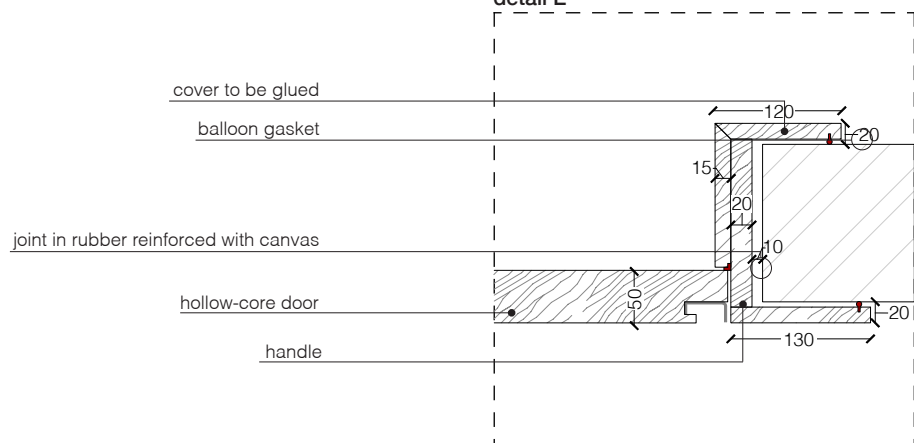
This information is based on the latest product information available at the time of printing.

\_details

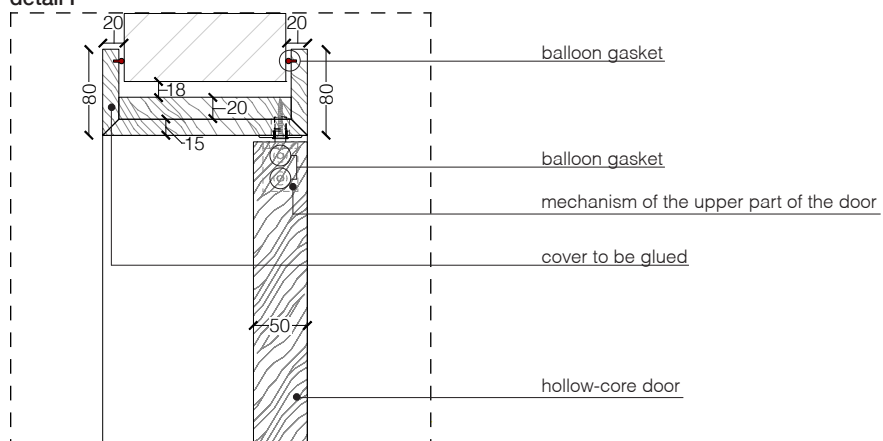
detail D



detail E



detail F



Dimensions in millimeters.

The right to discontinue and make changes is reserved.

This information is based on the latest product information available at the time of printing.



\_materials & finishes

Decord carved woods



Maple



Oak



Teak



Canaletto Walnut



Rosewood



Wengè



Aniline dyed



Available in all  
RAL / NCS colours

\_The finishes shown are indicative and refer to the entire production range.  
Laurameroni reserves the right to modify the range without warning.

\_maintenance

**WOOD**

To maintain the natural wood features and protect them from mechanical and chemical wear, the veneered surfaces are coated with a high-quality transparent varnish. Do not use acid or alkaline detergents, agents with bleaching additives, abrasive powders, steel wool, sponges or the like. Anything hot or humid can cause surface damage. Remove dirt and liquids immediately.

For the cleaning and care, it is best to use a soft, dry cloth. If necessary, the cloth can be slightly dampened and dipped in neutral detergent thoroughly diluted in water. The cloth should only be slightly damp to avoid discoloration or swelling of the surface. Finally, it is essential to gently rub dry surfaces, so that there is no residual moisture.

**LEGNO**

Per mantenere il carattere naturale del legno e proteggerlo dall'usura meccanica e chimica, le superfici impiallacciate sono rivestite con una vernice trasparente di alta qualità. Non usare detergenti acidi o alcalini, agenti con additivi sbiancanti, polveri abrasive, lana d'acciaio, spugne o simili. Qualsiasi cosa calda o umida può causare danni alla superficie. Rimuovere immediatamente sporco e liquidi. Per la pulizia e la cura, è preferibile utilizzare un panno morbido e asciutto. Eventualmente il panno può essere leggermente inumidito ed intinto in detergente neutro abbondantemente diluito in acqua. Il panno deve essere solo leggermente umido, per evitare scolorimenti o rigonfiamenti della superficie. È infine essenziale strofinare gentilmente le superfici asciutte, in modo che non sussista umidità residua.

**BEDIF  
FEREN  
TBEUN  
IQUE.**

LAURAMERONI s.r.l.  
22040 Alzate Brianza (Como)  
Via Manzoni, 2784  
T +39 031 761450  
info@laurameroni.com  
www.laurameroni.com